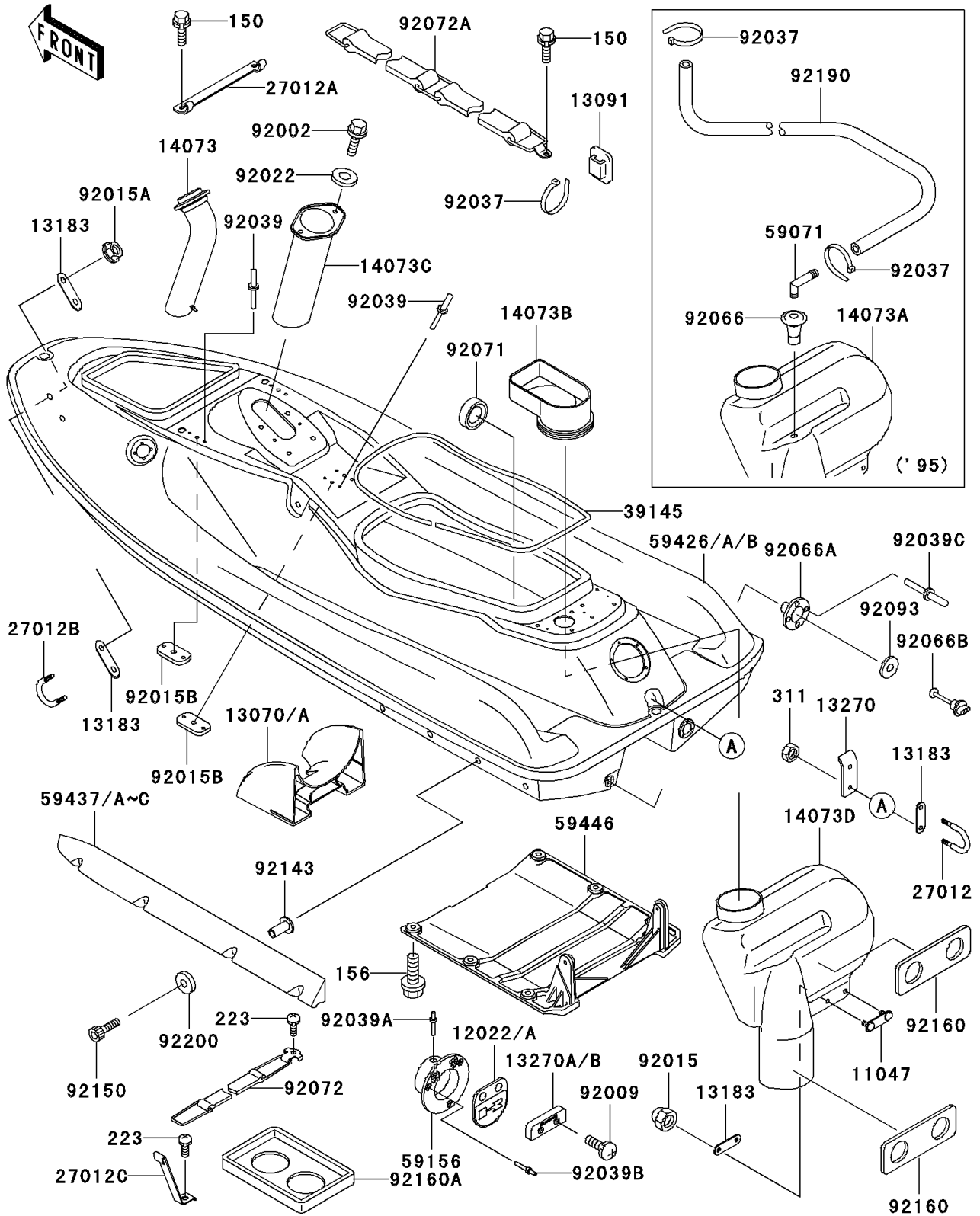


1997 STS PARTS DIAGRAM

Hull

F3141



1997 STS PARTS LIST

Hull

ITEM NAME	PART NUMBER	QUANTITY
BRACKET,RR DUCT (Ref # 11047)	11047-3774	1
VALVE-REED (Ref # 12022A)	12022-3706	1
GUIDE,INTAKE (Ref # 13070A)	13070-3721	1
HOLDER,BAND (Ref # 13091)	13091-3764	1
PLATE (Ref # 13183)	13183-3809	4
PLATE (Ref # 13270)	13270-3731	1
PLATE (Ref # 13270B)	13270-3867	1
DUCT,FR (Ref # 14073)	14073-3741	1
DUCT,RR,INNER (Ref # 14073B)	14073-3743	1
DUCT,FR (Ref # 14073C)	14073-3746	1
DUCT,RR,UPPER (Ref # 14073D)	14073-3756	1
HOOK (Ref # 27012)	27012-3761	1
HOOK,BOW EYE (Ref # 27012A)	27012-3766	1
HOOK (Ref # 27012B)	27012-3776	1
HOOK (Ref # 27012C)	27012-3789	2
TRIM-SEAL,L=2170 (Ref # 39145)	39145-3741	1
PIPE-TAIL (Ref # 59156)	59156-3711	1
STABILIZER,LH,J.S.VIOLET (Ref # 59437)	59437-3706-RE	1
STABILIZER,RH,J.S.VIOLET (Ref # 59437B)	59437-3707-RE	1
COVER-JET PUMP (Ref # 59446)	59446-3729	1
BOLT,6X16 (Ref # 92002)	92002-3728	2
SCREW,6X15 (Ref # 92009)	92009-3830	2
NUT,CAP,6MM (Ref # 92015)	92015-3755	2
NUT,6MM (Ref # 92015A)	92015-3767	2
NUT (Ref # 92015B)	92015-3815	4
BOLT-WS,6X16 (Ref # 150)	150R0616	4
BOLT-WP,6X20 (Ref # 156)	156R0620	6
SCREW-PAN-WS-CROS,6X14 (Ref # 223)	223R0614	4
NUT-HEX,6MM (Ref # 311)	311R0600	2

1997 STS PARTS LIST

Hull

ITEM NAME	PART NUMBER	QUANTITY
WASHER,6.5X20X1.5 (Ref # 92022)	92022-3710	2
CLAMP (Ref # 92037)	92037-1173	1
RIVET (Ref # 92039)	92039-3712	8
RIVET,4.8MM (Ref # 92039A)	92039-3719	1
RIVET (Ref # 92039B)	92039-3721	3
RIVET (Ref # 92039C)	92039-3757	4
PLUG,RR,DRAIN (Ref # 92066A)	92066-3724	1
PLUG,RR,DRAIN (Ref # 92066B)	92066-3744	1
GROMMET (Ref # 92071)	92071-3783	3
BAND,BATTERY (Ref # 92072)	92072-3766	2
BAND,FUEL TANK (Ref # 92072A)	92072-3772	2
SEAL (Ref # 92093)	92093-3720	1
COLLAR (Ref # 92143)	92143-3739	8
BOLT,SOCKET,6X40 (Ref # 92150)	92150-3847	8
DAMPER (Ref # 92160)	92160-3722	2
DAMPER (Ref # 92160A)	92160-3872	1
WASHER,6.5X16X1.0 (Ref # 92200)	92200-3712	8
HULL-COMP,J.WHITE (Ref # 59426B)	59426-3863-8C	1