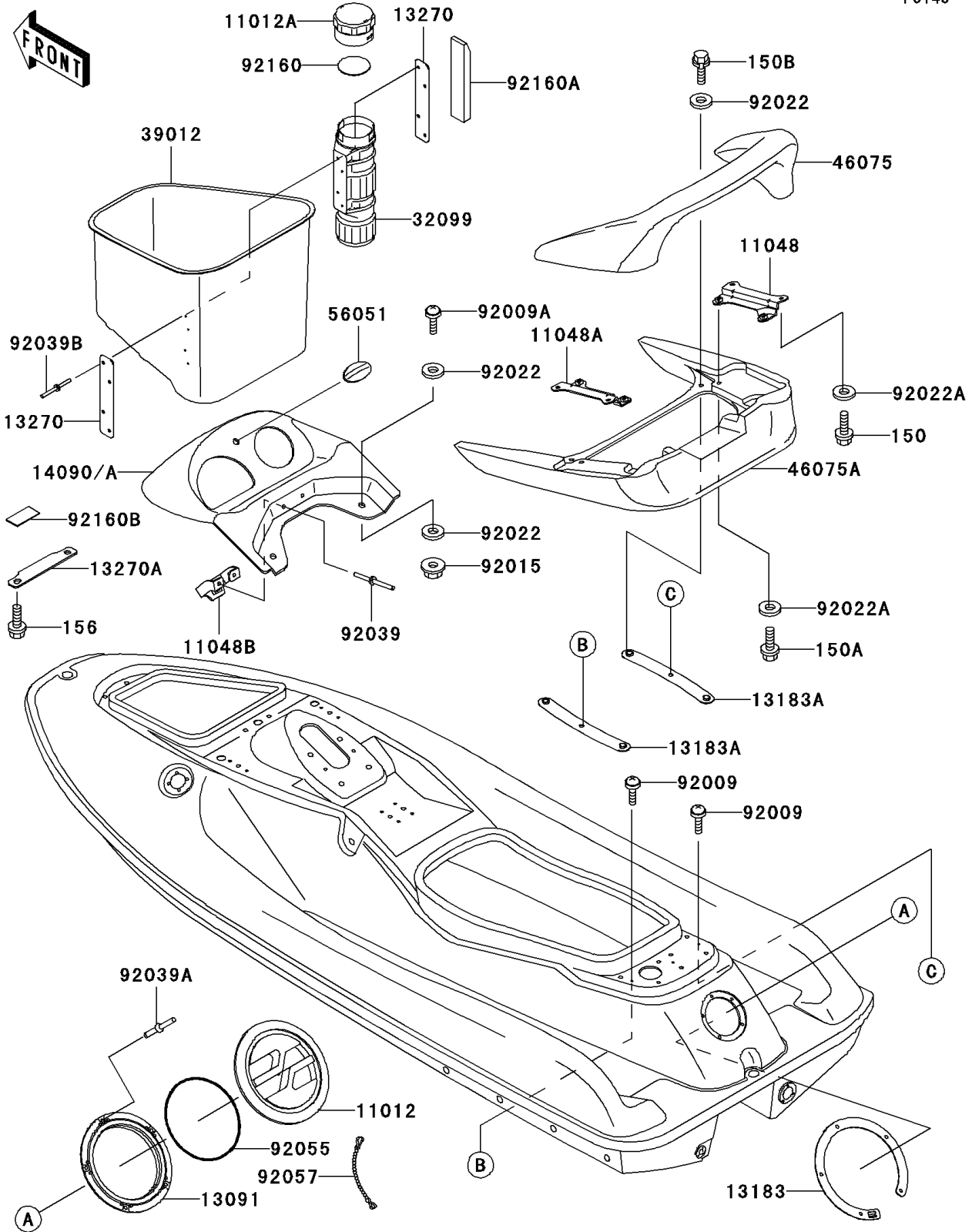


# 1997 STS PARTS DIAGRAM

## Hull Fittings

F3143



# 1997 STS PARTS LIST

## Hull Fittings

ITEM NAME	PART NUMBER	QUANTITY
BOLT-WS,6X12 (Ref # 150)	150R0612	4
BOLT-WS,6X16 (Ref # 150A)	150R0616	4
BOLT-WS,6X22 (Ref # 150B)	150R0622	4
BOLT-WP,6X12 (Ref # 156)	156R0612	2
CAP,STORAGE,J.WHITE (Ref # 11012)	11012-3758-8U	1
CAP,FIRE EXTINGUISHER (Ref # 11012A)	11012-3766	1
BRACKET,TAIL GRIP,RH (Ref # 11048)	11048-3730	1
BRACKET,TAIL GRIP,LH (Ref # 11048A)	11048-3731	1
BRACKET,METER COVER (Ref # 11048B)	11048-3741	1
HOLDER,STORAGE,J.WHITE (Ref # 13091)	13091-3766-8U	1
PLATE,STORAGE (Ref # 13183)	13183-3804	1
PLATE,TAIL GRIP (Ref # 13183A)	13183-3805	2
PLATE,FIRE EXTINGUISHER (Ref # 13270)	13270-3729	2
PLATE (Ref # 13270A)	13270-3742	1
COVER,METER,J.S.VIOLET (Ref # 14090)	14090-3742-23	1
CASE,FIRE EXTINGUISHER (Ref # 32099)	32099-3769	1
CASE-STORAGE (Ref # 39012)	39012-3711	1
GRIP,TAIL,UPP,VIOLET (Ref # 46075)	46075-3731-RE	1
GRIP,TAIL,LWR,VIOLET (Ref # 46075A)	46075-3732-RE	1
MARK,METER PANEL (Ref # 56051)	56051-3701	1
SCREW,5X16 (Ref # 92009)	92009-3789	2
SCREW,6X18 (Ref # 92009A)	92009-3805	2
NUT,6MM (Ref # 92015)	92015-3767	2
WASHER,6.5X20X1.5 (Ref # 92022)	92022-3710	8
WASHER,6.2X20X2 (Ref # 92022A)	92022-3714	8
RIVET,4MM (Ref # 92039)	92039-3703	2
RIVET (Ref # 92039A)	92039-3714	5
RIVET (Ref # 92039B)	92039-3755	4
RING-O,ID=131.6MM (Ref # 92055)	92055-3732	1

## 1997 STS PARTS LIST

### Hull Fittings

ITEM NAME	PART NUMBER	QUANTITY
CHAIN,COVER,L=100 (Ref # 92057)	92057-3704	1
DAMPER (Ref # 92160)	92160-3814	1
DAMPER (Ref # 92160A)	92160-3821	1
DAMPER,HANDLE COVER (Ref # 92160B)	92160-3825	1