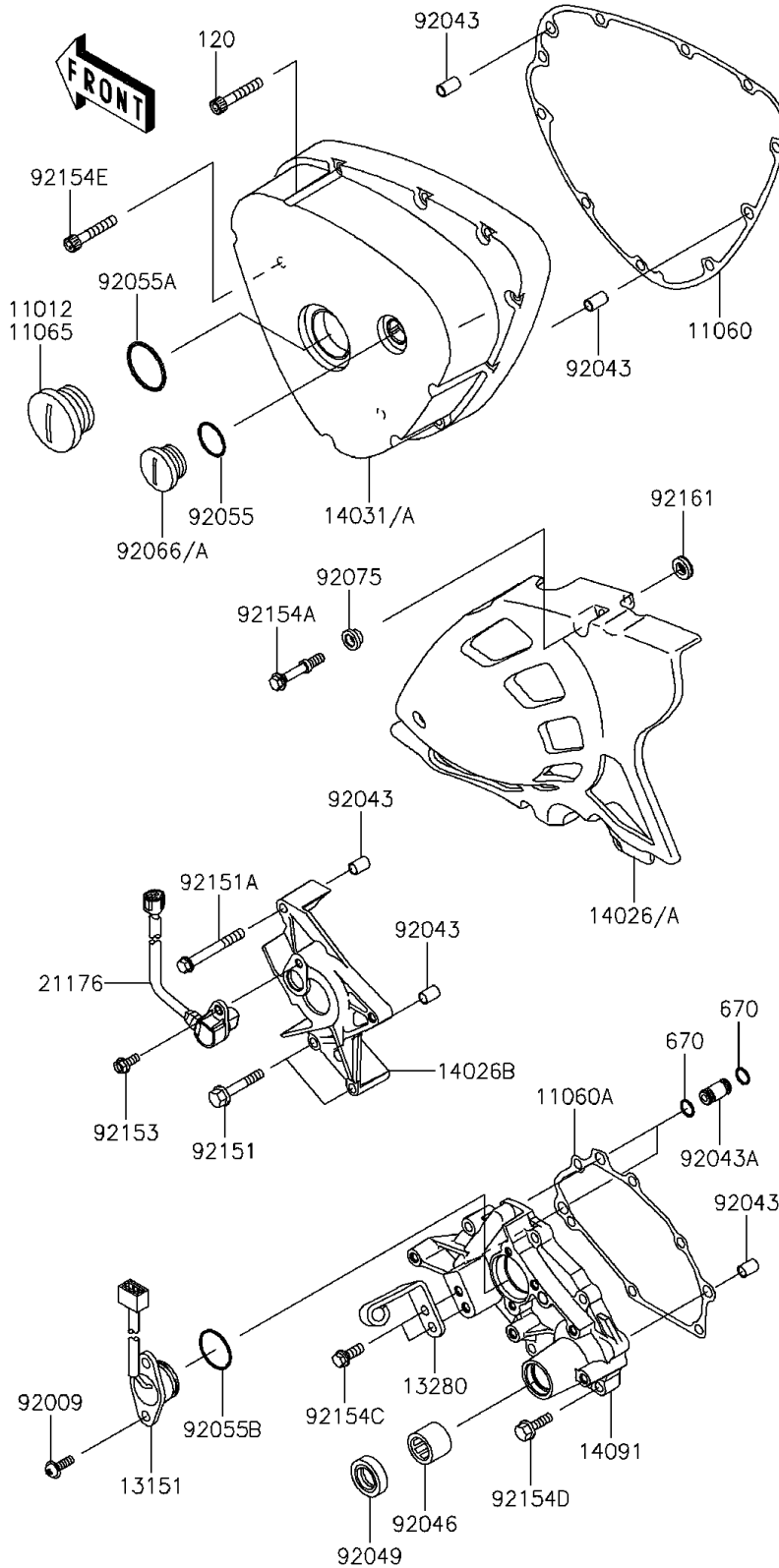


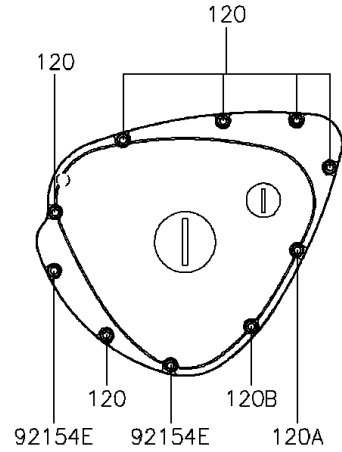
2015 W800 (European) PARTS DIAGRAM

Left Engine Cover(s)

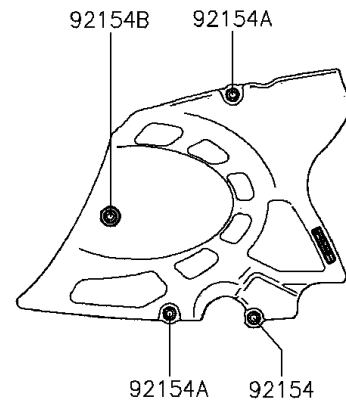


E1435

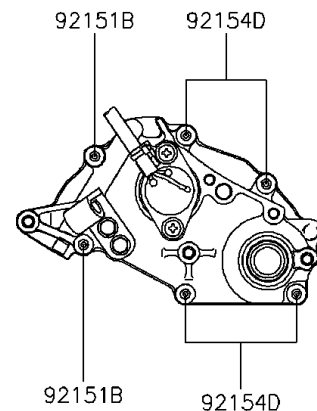
(14031/A) (LH Side)



(14026/A) (LH Side)



(14091) (LH Side)



2015 W800 (European) PARTS LIST

Left Engine Cover(s)

ITEM NAME	PART NUMBER	QUANTITY
BOLT-SOCKET,6X35 (Ref # 120)	120CC0635	6
BOLT-SOCKET,6X40 (Ref # 120A)	120CC0640	1
BOLT-SOCKET,6X45 (Ref # 120B)	120CC0645	1
O RING (Ref # 670)	670D1505	4
CAP,GENERATOR (Ref # 11012)	11012-1817	1
GASKET,GENERATOR COVER (Ref # 11060)	11060-1892	1
GASKET,TRANSMISSION COVER (Ref # 11060A)	11060-1893	1
SWITCH-COMP,NEUTRAL (Ref # 13151)	13151-0054	1
HOLDER,CLUTCH CABLE (Ref # 13280)	13280-1109	1
COVER-CHAIN (Ref # 14026A)	14026-0087	1
COVER-CHAIN,INSIDE (Ref # 14026B)	14026-1261	1
COVER-GENERATOR (Ref # 14031A)	14031-1366	1
COVER,TRANSMISSION (Ref # 14091)	14091-1084	1
SENSOR,SPEED (Ref # 21176)	21176-0154	1
SCREW,5X16 (Ref # 92009)	92009-1571	2
PIN,6.2X8X14 (Ref # 92043)	92043-1263	5
PIN (Ref # 92043A)	92043-1588	2
BEARING-NEEDLE,HK1312 (Ref # 92046)	92046-1148	1
SEAL-OIL,TC13225.5 (Ref # 92049)	92049-1519	1
RING-O,20X2 (Ref # 92055)	92055-1146	1
RING-O,39.4X3.1 (Ref # 92055A)	92055-1618	1
RING-O,27.7X2.4 (Ref # 92055B)	92055-1619	1
PLUG,COVER (Ref # 92066A)	92066-1397	1
DAMPER (Ref # 92075)	92075-1855	4
BOLT,6X40 (Ref # 92151)	92151-1131	2
BOLT,6X50 (Ref # 92151A)	92151-1234	1
BOLT,6X35 (Ref # 92151B)	92151-1874	2
BOLT,FLANGED,5X12 (Ref # 92153)	92153-1582	1
BOLT,FLANGED,6X31 (Ref # 92154)	92154-0486	1

2015 W800 (European) PARTS LIST

Left Engine Cover(s)

ITEM NAME	PART NUMBER	QUANTITY
BOLT,FLANGED,6X39 (Ref # 92154A)	92154-0487	2
BOLT,FLANGED,6X43.6 (Ref # 92154B)	92154-0488	1
BOLT,FLANGED,6X16 (Ref # 92154C)	92154-0489	2
BOLT,FLANGED,6X25 (Ref # 92154D)	92154-0490	4
BOLT,SOCKET,6X35 (Ref # 92154E)	92154-0494	2
DAMPER (Ref # 92161)	92161-0411	4