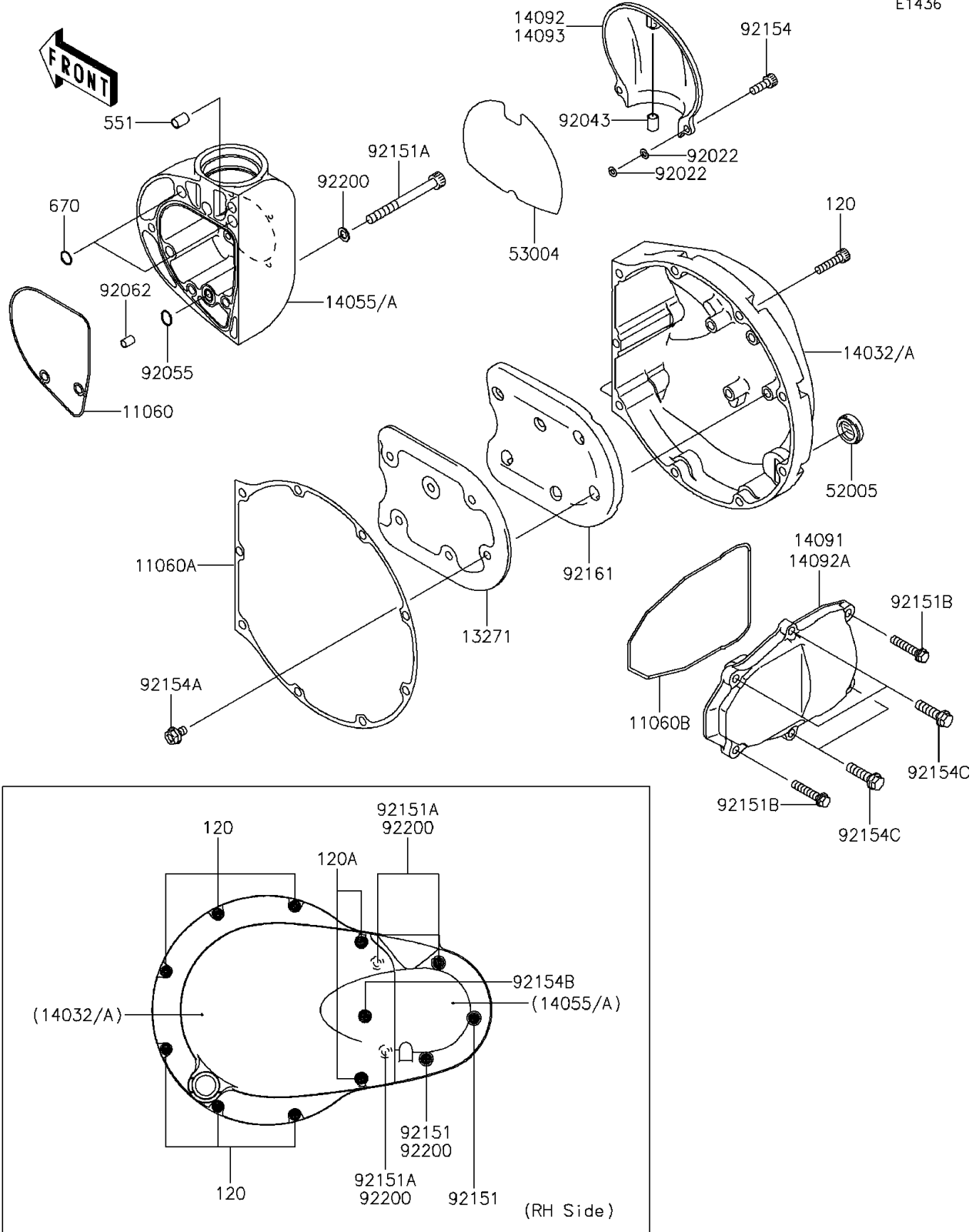


# 2016 W800 (European) PARTS DIAGRAM

Right Engine Cover(s)

E1436



## 2016 W800 (European) PARTS LIST

### Right Engine Cover(s)

ITEM NAME	PART NUMBER	QUANTITY
BOLT-SOCKET,6X25 (Ref # 120)	120CC0625	6
BOLT-SOCKET,6X50 (Ref # 120A)	120CC0650	2
PIN-DOWEL,8X20 (Ref # 551)	551A0820	1
O RING,7MM (Ref # 670)	670D1507	2
GASKET,GEAR CASE (Ref # 11060)	11060-1890	1
GASKET,CLUTCH COVER (Ref # 11060A)	11060-1891	1
GASKET,KICK COVER (Ref # 11060B)	11060-1896	1
PLATE,SOUND ARRESTER (Ref # 13271)	13271-1215	1
COVER-CLUTCH (Ref # 14032A)	14032-1495	1
CASE-GEAR (Ref # 14055A)	14055-1147	1
COVER,KICK (Ref # 14091)	14091-1080	1
COVER,BEVEL GEAR (Ref # 14092)	14092-0234	1
GAUGE,OIL LEVEL (Ref # 52005)	52005-1009	1
MAT,BEVEL COVER (Ref # 53004)	53004-1124	1
WASHER,5.2X10X1.5 (Ref # 92022)	92022-1023	4
PIN,6X12 (Ref # 92043)	92043-1606	1
RING-O,12.3X1.9 (Ref # 92055)	92055-1594	1
NOZZLE,6X8,BLACK (Ref # 92062)	92062-1079	1
BOLT,SOCKET,6X55 (Ref # 92151)	92151-1496	2
BOLT,SOCKET,6X60 (Ref # 92151A)	92151-1497	3
BOLT,6X30 (Ref # 92151B)	92151-1873	2
BOLT,SOCKET,5X14 (Ref # 92154)	92154-0491	2
BOLT,FLANGED,6X10 (Ref # 92154A)	92154-0492	6
BOLT,SOCKET,6X70 (Ref # 92154B)	92154-0493	1
BOLT,FLANGED,6X22 (Ref # 92154C)	92154-0794	4
DAMPER (Ref # 92161)	92161-0953	1
WASHER,6.8X11.5X1.0 (Ref # 92200)	92200-1461	4