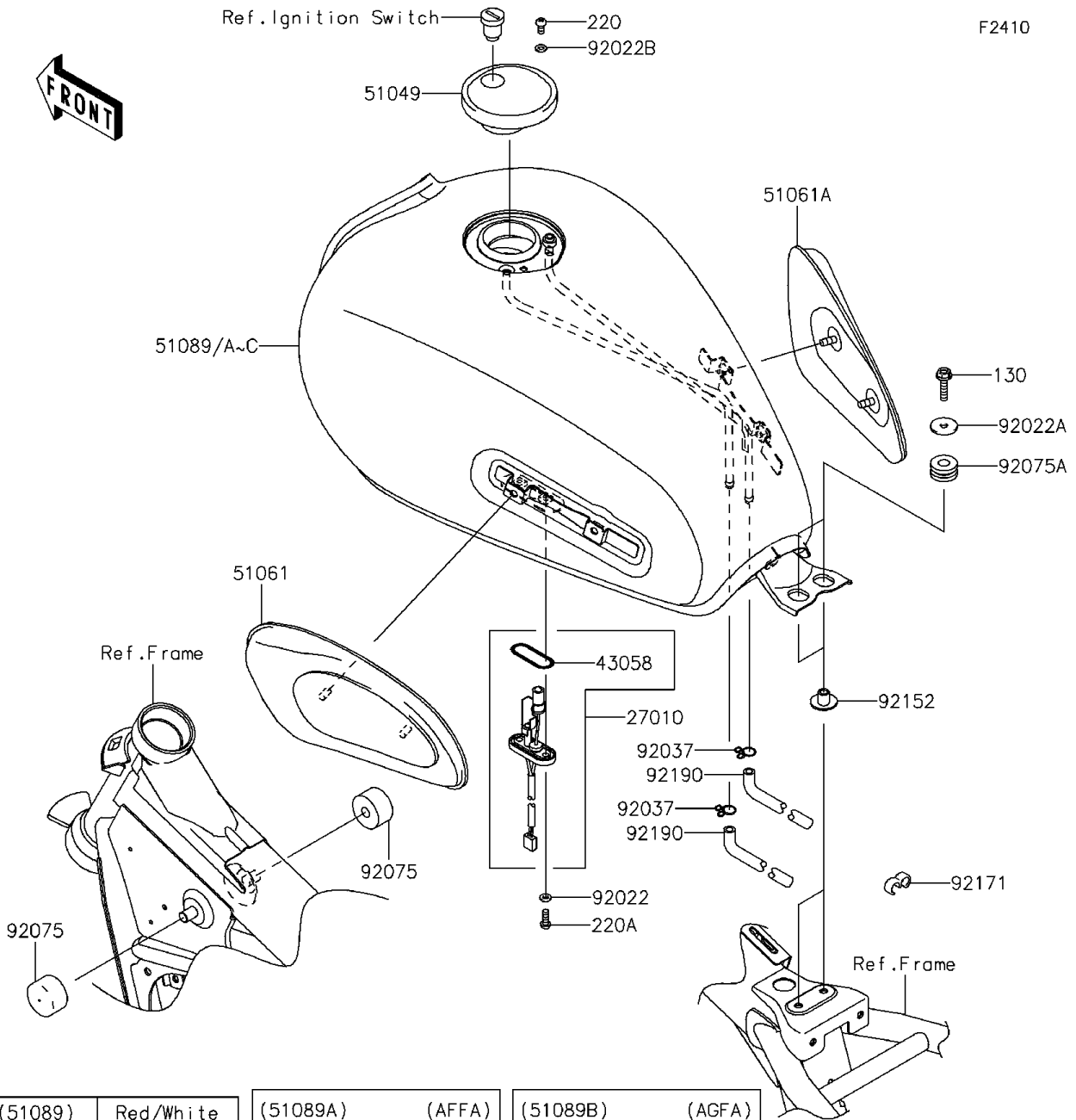


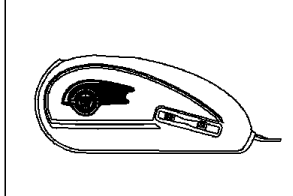
2015 W800 (European) PARTS DIAGRAM

Fuel Tank



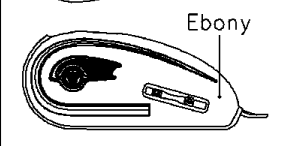
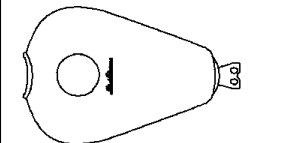
(51089)	Red/White
(51089C)	Blue/White

(51089/C) (AFF/AGF)



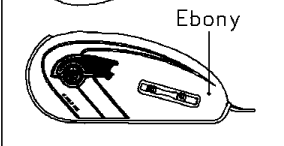
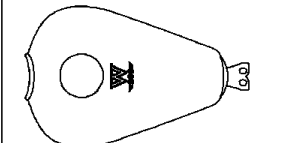
WD

(51089A) (AFFA)



WD

(51089B) (AGFA)



WD

2015 W800 (European) PARTS LIST

Fuel Tank

ITEM NAME	PART NUMBER	QUANTITY
BOLT-FLANGED,6X25 (Ref # 130)	130BA0625	2
SCREW-PAN-CROS,5X10 (Ref # 220)	220AA0510	2
SCREW-PAN-CROS,5X14 (Ref # 220A)	220AA0514	2
SWITCH,FUEL LEVEL (Ref # 27010)	27010-0718	1
RING,FUEL LEVEL SWITCH (Ref # 43058)	43058-1004	1
CAP-TANK,FUEL (Ref # 51049)	51049-1132	1
PAD-KNEE,LH (Ref # 51061)	51061-1057	1
PAD-KNEE,RH (Ref # 51061A)	51061-1058	1
TANK-COMP-FUEL,EBONY (Ref # 51089A)	51089-5130-H8	1
WASHER,5.2X10X1.5 (Ref # 92022)	92022-1023	2
WASHER,6.5X24X2 (Ref # 92022A)	92022-1690	2
WASHER,5.1X10X1.0 (Ref # 92022B)	92022-1977	2
CLAMP,TUBE (Ref # 92037)	92037-147	2
DAMPER,FUEL TANK (Ref # 92075)	92075-125	2
DAMPER,10X24X12 (Ref # 92075A)	92075-1690	2
COLLAR (Ref # 92152)	92152-0365	2
CLAMP (Ref # 92171)	92171-1184	1
TUBE,DRAIN (Ref # 92190)	92190-1453	2