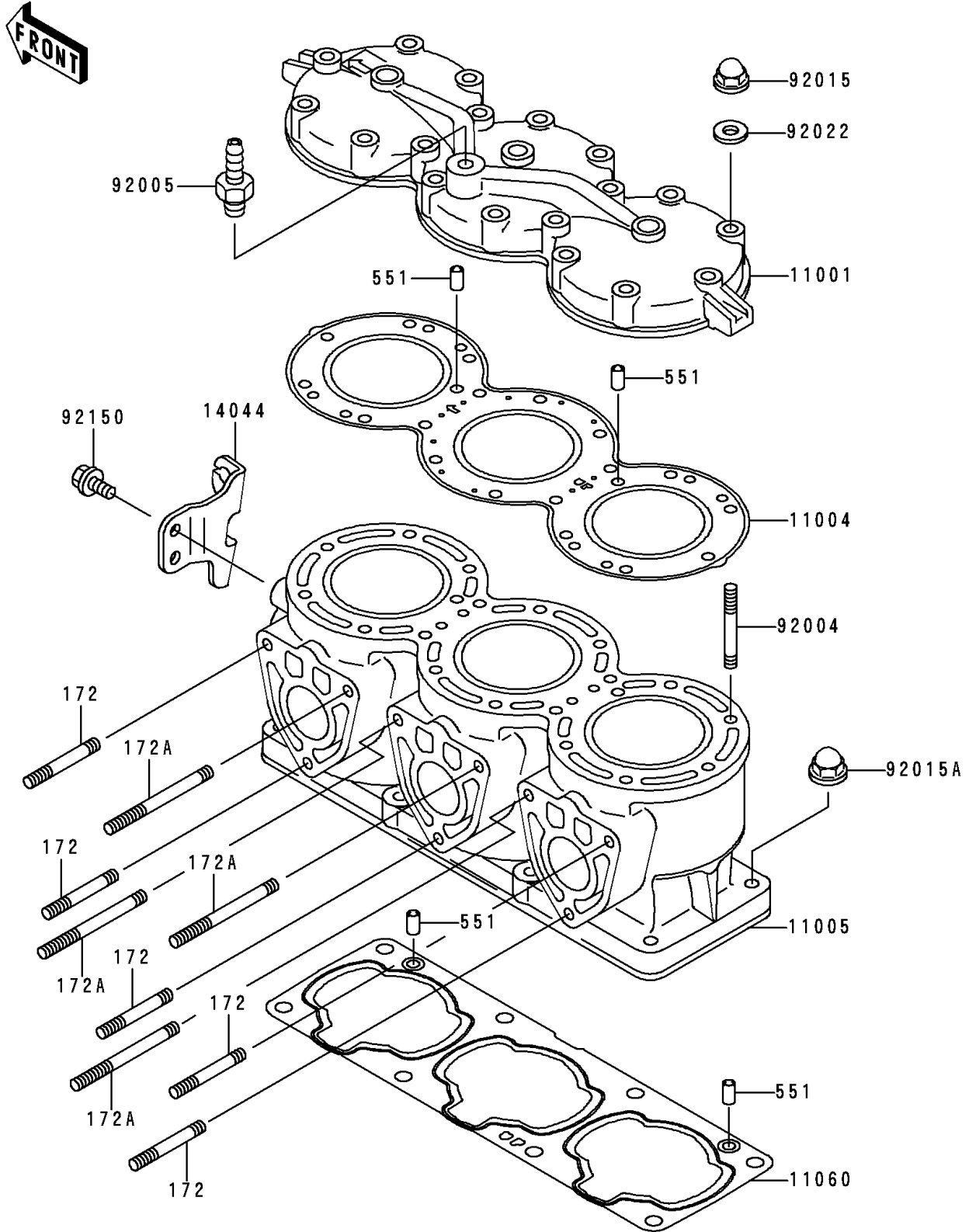


# 1997 900 STX PARTS DIAGRAM

Cylinder Head/Cylinder

E1110



## 1997 900 STX PARTS LIST

### Cylinder Head/Cylinder

ITEM NAME	PART NUMBER	QUANTITY
BOLT-STUD (Ref # 172)	172R0830	5
BOLT-STUD,8X75 (Ref # 172A)	172R0875	4
PIN-DOWEL (Ref # 551)	551R0812	4
HEAD-CYLINDER (Ref # 11001)	11001-3721	1
GASKET-HEAD (Ref # 11004)	11004-3713	1
CYLINDER-ENGINE (Ref # 11005)	11005-3738	1
GASKET,CYLINDER BASE (Ref # 11060)	11060-3752	1
HOLDER-CABLE (Ref # 14044)	14044-3729	1
STUD,8X43 (Ref # 92004)	92004-3715	18
FITTING (Ref # 92005)	92005-3714	1
NUT,CAP,8MM (Ref # 92015)	92015-1371	18
NUT,10MM (Ref # 92015A)	92015-1649	8
WASHER,8.2X18X1.5 (Ref # 92022)	92022-1964	18
BOLT,8X16 (Ref # 92150)	92150-3722	2