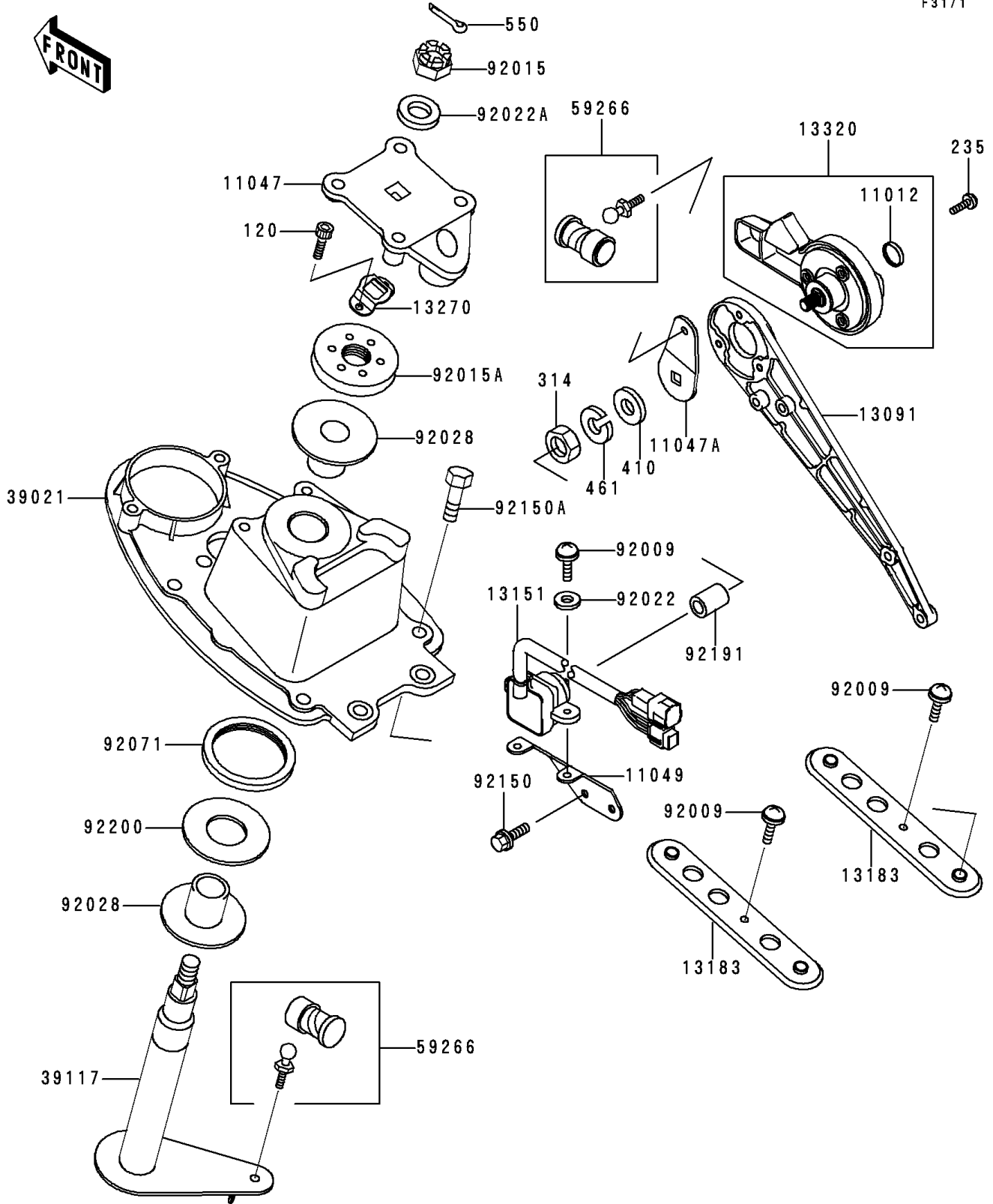


# 1997 900 STX PARTS DIAGRAM

Handle Pole

F3171



# 1997 900 STX PARTS LIST

## Handle Pole

ITEM NAME	PART NUMBER	QUANTITY
BOLT-SOCKET,5X10 (Ref # 120)	120R0510	2
SCREW-PAN-WP-CROS (Ref # 235)	235R0620	3
NUT-HEX-FINE,10MM (Ref # 314)	314R1000	1
W-PLAIN-S,10MM (Ref # 410)	410S1000	1
WASHER-SPRING,10MM (Ref # 461)	461S1000	1
PIN-COTTER,3X35 (Ref # 550)	550S3035	1
CAP,REVERSE LEVER (Ref # 11012)	11012-3795	1
BRACKET,HANDLE HOLDER (Ref # 11047)	11047-3759	1
BRACKET,STEERING LEVER (Ref # 11047A)	11047-3790	1
BRACKET (Ref # 11049)	11049-3725	1
HOLDER,REVERSE (Ref # 13091)	13091-3803	1
SWITCH-COMP,REVERSE (Ref # 13151)	13151-3740	1
PLATE,HANDLE POLE BRACKET (Ref # 13183)	13183-3806	2
PLATE (Ref # 13270)	13270-3780	1
LEVER-ASSY,REVERSE (Ref # 13320)	13320-3712	1
BRACKET-HANDLE POLE (Ref # 39021)	39021-3704	1
SHAFT-STRG (Ref # 39117)	39117-3711	1
JOINT-BALL (Ref # 59266)	59266-3707	2
SCREW,5X16 (Ref # 92009)	92009-3789	4
NUT,CASTLE,14MM (Ref # 92015)	92015-3805	1
NUT (Ref # 92015A)	92015-3852	1
WASHER,6.2X20X2 (Ref # 92022)	92022-3714	2
WASHER,15X34X2.0 (Ref # 92022A)	92022-3738	1
BUSHING,STEERING (Ref # 92028)	92028-3748	2
GROMMET (Ref # 92071)	92071-3792	1
BOLT,6X18 (Ref # 92150)	92150-3729	2
BOLT,FLANGED,8X30 (Ref # 92150A)	92150-3803	4
TUBE,6X10X11 (Ref # 92191)	92191-3764	1
WASHER,32.5X70X2 (Ref # 92200)	92200-3718	1