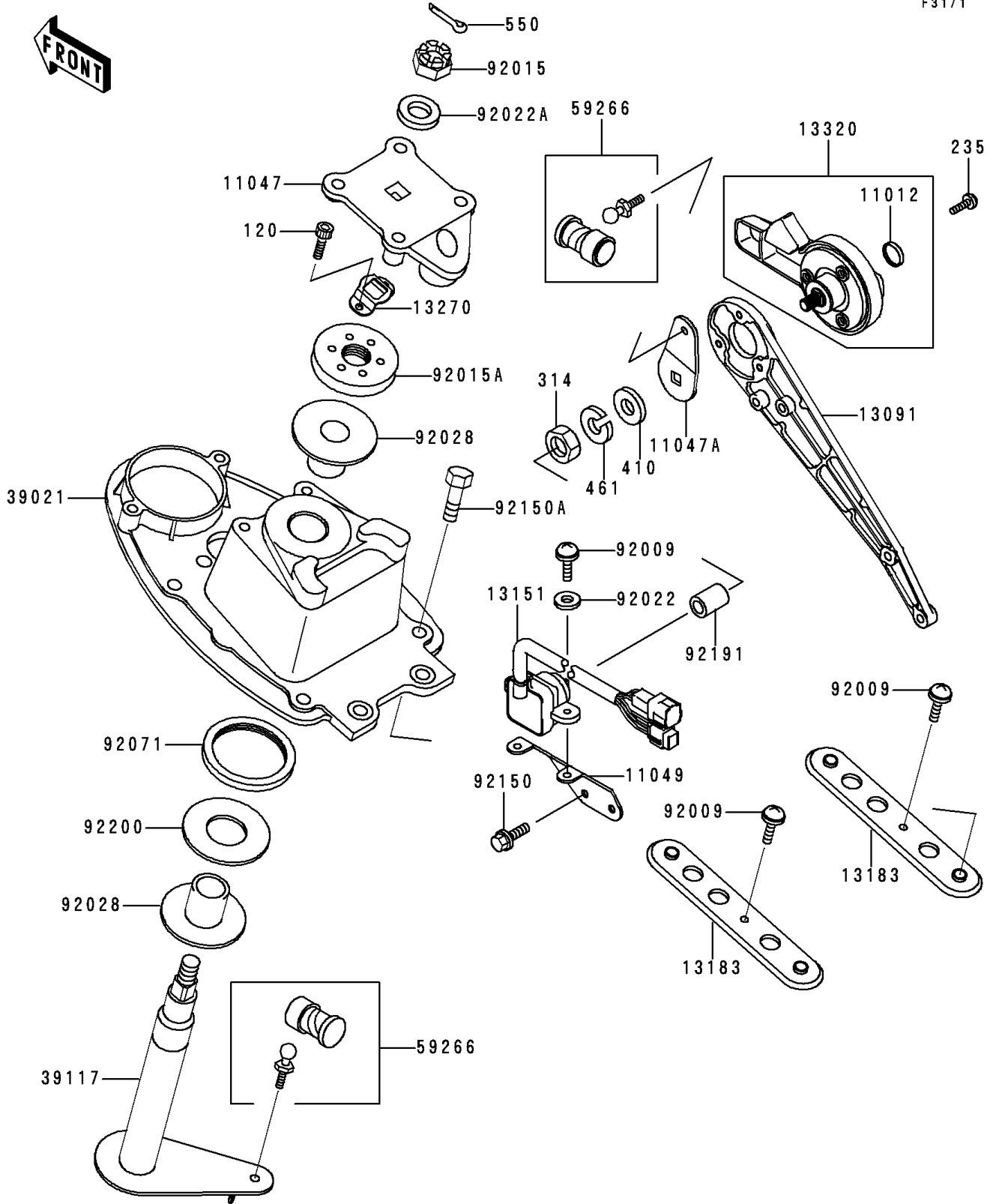


1998 900 STX PARTS DIAGRAM

Handle Pole

F3171



1998 900 STX PARTS LIST

Handle Pole

| ITEM NAME | PART NUMBER | QUANTITY |
|---|-------------|----------|
| BOLT-SOCKET,5X10 (Ref # 120) | 120R0510 | 2 |
| SCREW-PAN-WP-CROS (Ref # 235) | 235R0620 | 3 |
| NUT-HEX-FINE,10MM (Ref # 314) | 314R1000 | 1 |
| W-PLAIN-S,10MM (Ref # 410) | 410S1000 | 1 |
| WASHER-SPRING,10MM (Ref # 461) | 461S1000 | 1 |
| PIN-COTTER,3X35 (Ref # 550) | 550S3035 | 1 |
| CAP,REVERSE LEVER (Ref # 11012) | 11012-3795 | 1 |
| BRACKET,HANDLE HOLDER (Ref # 11047) | 11047-3759 | 1 |
| BRACKET,STEERING LEVER (Ref # 11047A) | 11047-3790 | 1 |
| BRACKET (Ref # 11049) | 11049-3725 | 1 |
| HOLDER,REVERSE (Ref # 13091) | 13091-3803 | 1 |
| SWITCH-COMP,REVERSE (Ref # 13151) | 13151-3740 | 1 |
| PLATE,HANDLE POLE BRACKET (Ref # 13183) | 13183-3806 | 2 |
| PLATE (Ref # 13270) | 13270-3780 | 1 |
| LEVER-ASSY,REVERSE (Ref # 13320) | 13320-3712 | 1 |
| BRACKET-HANDLE POLE (Ref # 39021) | 39021-3704 | 1 |
| SHAFT-STRG (Ref # 39117) | 39117-3711 | 1 |
| JOINT-BALL (Ref # 59266) | 59266-3707 | 2 |
| SCREW,5X16 (Ref # 92009) | 92009-3789 | 4 |
| NUT,CASTLE,14MM (Ref # 92015) | 92015-3805 | 1 |
| NUT (Ref # 92015A) | 92015-3852 | 1 |
| WASHER,6.2X20X2 (Ref # 92022) | 92022-3714 | 2 |
| WASHER,15X34X2.0 (Ref # 92022A) | 92022-3738 | 1 |
| BUSHING,STEERING (Ref # 92028) | 92028-3748 | 2 |
| GROMMET (Ref # 92071) | 92071-3792 | 1 |
| BOLT,6X18 (Ref # 92150) | 92150-3729 | 2 |
| BOLT,FLANGED,8X30 (Ref # 92150A) | 92150-3803 | 4 |
| TUBE,6X10X11 (Ref # 92191) | 92191-3764 | 1 |
| WASHER,32.5X70X2 (Ref # 92200) | 92200-3718 | 1 |