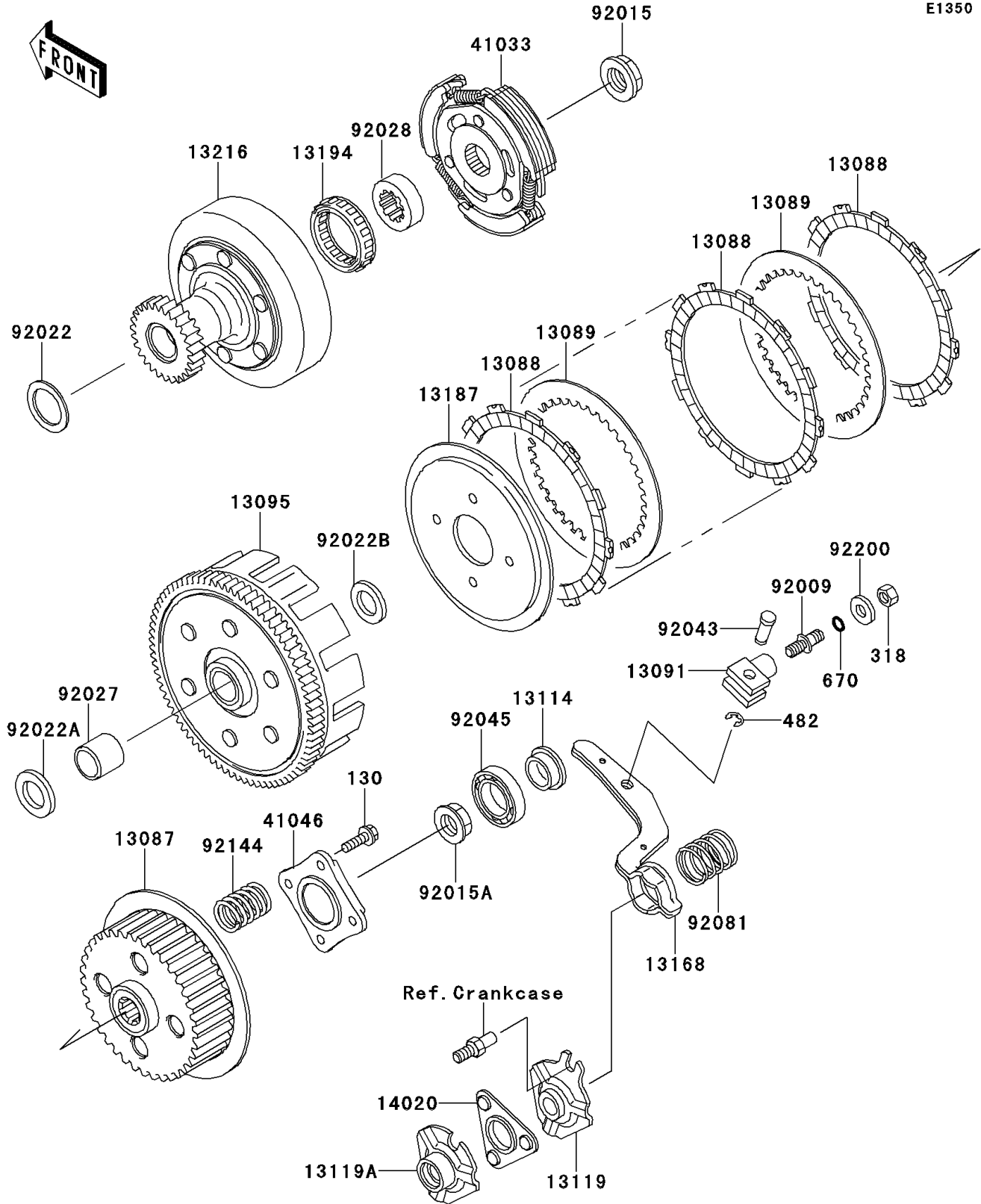


1992 Bayou 220 PARTS DIAGRAM

Clutch

E1350



1992 Bayou 220 PARTS LIST

Clutch

| ITEM NAME | PART NUMBER | QUANTITY |
|---------------------------------------|-------------|----------|
| BOLT-FLANGED,6X20 (Ref # 130) | 130P0620 | 4 |
| NUT-HEX-SMALL,8MM (Ref # 318) | 318B0800 | 1 |
| CIRCLIP-TYPE-E,6MM (Ref # 482) | 482J6000 | 1 |
| O RING,8MM (Ref # 670) | 670B1508 | 1 |
| HUB-CLUTCH (Ref # 13087) | 13087-1089 | 1 |
| PLATE-FRICTION (Ref # 13088) | 13088-1068 | 5 |
| PLATE-CLUTCH (Ref # 13089) | 13089-1076 | 4 |
| HOLDER,CLUTCH RELEASE (Ref # 13091) | 13091-1341 | 1 |
| HOUSING-COMP-CLUTCH (Ref # 13095) | 13095-1163 | 1 |
| PUSHER-CLUTCH (Ref # 13114) | 13114-1057 | 1 |
| CAM-RELEASE (Ref # 13119) | 13119-1074 | 1 |
| CAM-RELEASE (Ref # 13119A) | 13119-1077 | 1 |
| LEVER (Ref # 13168) | 13168-1354 | 1 |
| PLATE-CLUTCH OPERATING (Ref # 13187) | 13187-1061 | 1 |
| CLUTCH-ONEWAY (Ref # 13194) | 13194-1055 | 1 |
| GEAR-COMP,CLUTCH (Ref # 13216) | 13216-1120 | 1 |
| RETAINER,CLUTCH RELEASE (Ref # 14020) | 14020-1093 | 1 |
| HUB-ASSY,CLUTCH (Ref # 41033) | 41033-1713 | 1 |
| HOUSING-BEARING (Ref # 41046) | 41046-1082 | 1 |
| SCREW,CLUTCH RELEASE (Ref # 92009) | 92009-1303 | 1 |
| NUT,18MM (Ref # 92015) | 92015-1512 | 1 |
| NUT (Ref # 92015A) | 92015-1581 | 1 |
| WASHER,28.1X34X1.0 (Ref # 92022) | 92022-1731 | 1 |
| WASHER,20.2X36X2 (Ref # 92022A) | 92022-1880 | 1 |
| WASHER,20.2X35X4 (Ref # 92022B) | 92022-1881 | 1 |
| COLLAR,20X25X21 (Ref # 92027) | 92027-1798 | 1 |
| BUSHING,CLUTCH,FR (Ref # 92028) | 92028-1370 | 1 |
| PIN,CLUTCH RELEASE (Ref # 92043) | 92043-1230 | 1 |
| BEARING-BALL (Ref # 92045) | 92045-1202 | 1 |

1992 Bayou 220 PARTS LIST

Clutch

| ITEM NAME | PART NUMBER | QUANTITY |
|---------------------------------|-------------|----------|
| SPRING (Ref # 92081) | 92081-1681 | 1 |
| SPRING,CLUTCH (Ref # 92144) | 92144-1160 | 4 |
| WASHER,8.5X18X2.3 (Ref # 92200) | 92200-1213 | 1 |