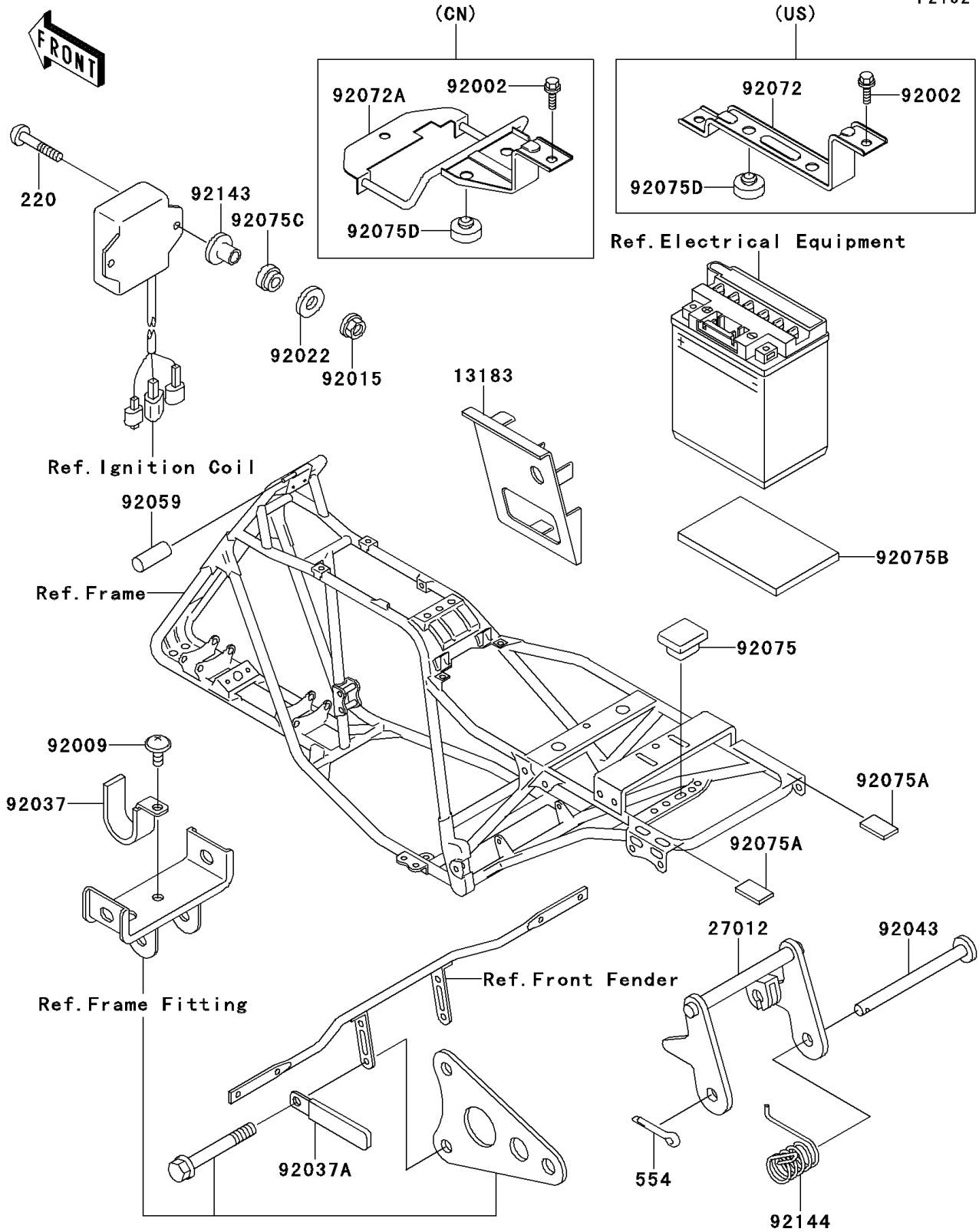


1994 Bayou 220 PARTS DIAGRAM

Battery Case

F2132



1994 Bayou 220 PARTS LIST

Battery Case

| ITEM NAME | PART NUMBER | QUANTITY |
|------------------------------------|-------------|----------|
| SCREW-PAN-CROS,6X25 (Ref # 220) | 220B0625 | 2 |
| PIN-SNAP (Ref # 554) | 554A0600 | 1 |
| PLATE,ELECTRIC BASE (Ref # 13183) | 13183-1134 | 1 |
| HOOK,SEAT (Ref # 27012) | 27012-1381 | 1 |
| BOLT,6X14 (Ref # 92002) | 92002-1351 | 2 |
| SCREW,6X14 (Ref # 92009) | 92009-1288 | 1 |
| NUT,LOCK,FLANGED,6MM (Ref # 92015) | 92015-1675 | 2 |
| WASHER,7X18X1.2 (Ref # 92022) | 92022-1545 | 2 |
| CLAMP (Ref # 92037) | 92037-1700 | 1 |
| CLAMP (Ref # 92037A) | 92037-1780 | 1 |
| PIN,6X77 (Ref # 92043) | 92043-1367 | 1 |
| TUBE,3X8X40 (Ref # 92059) | 92059-1901 | 1 |
| DAMPER (Ref # 92075) | 92075-099 | 1 |
| DAMPER (Ref # 92075A) | 92075-1830 | 2 |
| DAMPER (Ref # 92075C) | 92075-208 | 2 |
| DAMPER (Ref # 92075D) | 92075-281 | 2 |
| COLLAR,L=9.6 (Ref # 92143) | 92143-1016 | 2 |
| SPRING,SEAT HOOK (Ref # 92144) | 92144-1174 | 1 |
| BAND,BATTERY (Ref # 92072) | 92072-1222 | 1 |
| BAND,BATTERY (Ref # 92072A) | 92072-1292 | 1 |
| DAMPER,BATTERY (Ref # 92075B) | 92075-1997 | 1 |