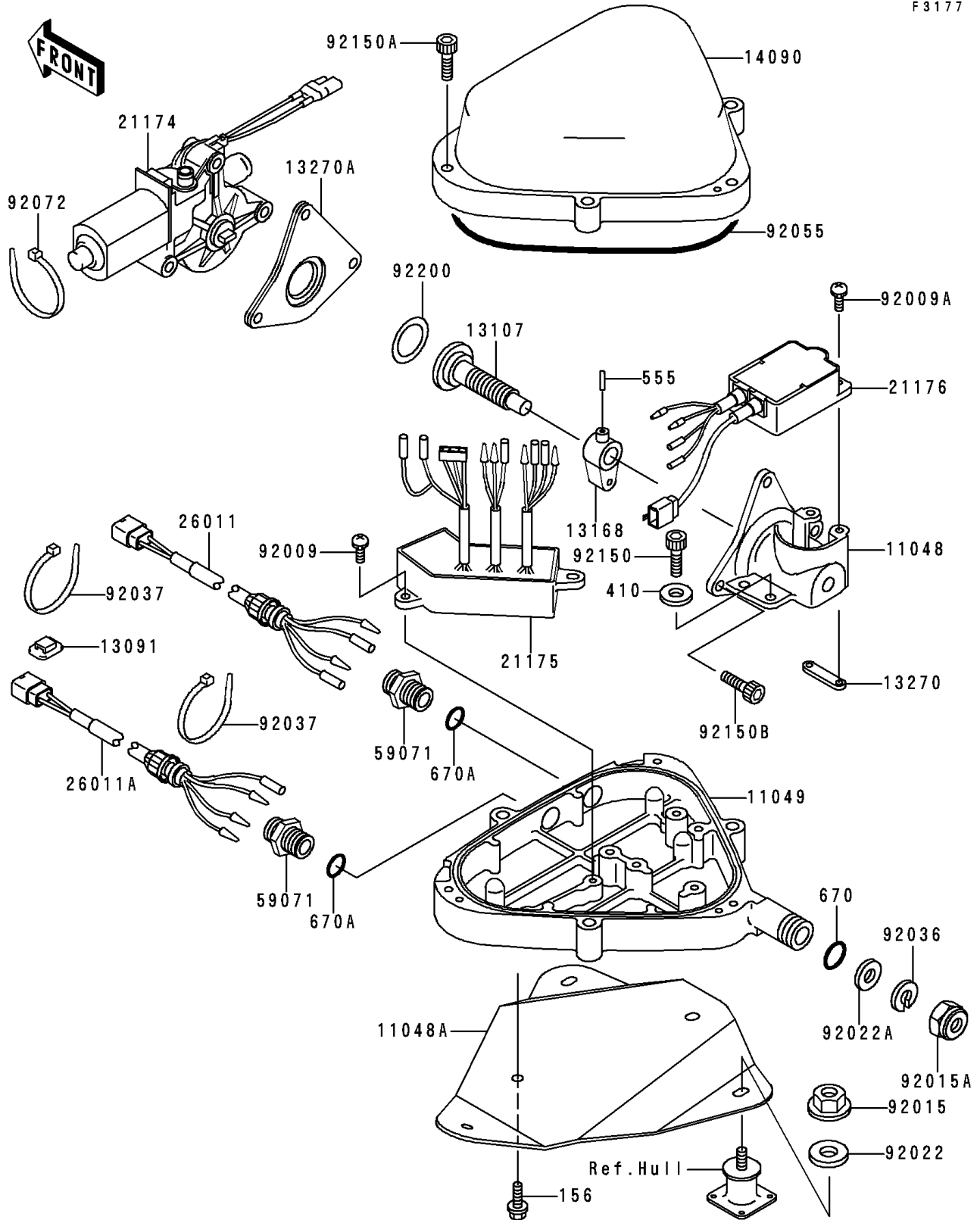


# 1998 900 STX PARTS DIAGRAM

Control

F3177



# 1998 900 STX PARTS LIST

## Control

ITEM NAME	PART NUMBER	QUANTITY
BOLT-WP,6X14 (Ref # 156)	156R0614	2
WASHER-PLAIN-SMALL,6MM (Ref # 410)	410S0600	4
PIN-SPRING,3X14 (Ref # 555)	555B0314	1
O RING,11MM (Ref # 670)	670B2011	1
O RING,16MM (Ref # 670A)	670B2016	2
BRACKET,MOTOR MOUNT (Ref # 11048)	11048-3738	1
BRACKET (Ref # 11048A)	11048-3742	1
BRACKET,MOTOR BOX,LWR (Ref # 11049)	11049-3715	1
HOLDER,BAND (Ref # 13091)	13091-3764	3
SHAFT (Ref # 13107)	13107-3749	1
LEVER,SLIDE (Ref # 13168)	13168-3724	1
PLATE,TRIM SENSOR (Ref # 13270)	13270-3744	1
PLATE,MOTOR MOUNT (Ref # 13270A)	13270-3822	1
COVER,MOTOR BOX,UPP (Ref # 14090)	14090-3768	1
MOTOR-ELECTRIC (Ref # 21174)	21174-3703	1
CONTROL UNIT-ELECTRONIC (Ref # 21175)	21175-3707	1
SENSOR,TRIM METER (Ref # 21176)	21176-3723	1
WIRE-LEAD,TRIM SWITCH (Ref # 26011)	26011-3823	1
WIRE-LEAD,TRIM METER (Ref # 26011A)	26011-3831	1
JOINT (Ref # 59071)	59071-3001	2
SCREW,5X12 (Ref # 92009)	92009-3740	3
SCREW,4X12 (Ref # 92009A)	92009-3807	2
NUT,6MM (Ref # 92015)	92015-3767	3
NUT,20MM (Ref # 92015A)	92015-526	1
WASHER,6.5X20X1.5 (Ref # 92022)	92022-3710	3
WASHER (Ref # 92022A)	92022-535	1
RING-SNAP (Ref # 92036)	92036-501	1
CLAMP (Ref # 92037)	92037-1173	6
RING-O,ID=171 (Ref # 92055)	92055-3737	1

## 1998 900 STX PARTS LIST

### Control

ITEM NAME	PART NUMBER	QUANTITY
BAND (Ref # 92072)	92072-3778	1
BOLT,SOCKET,6X18 (Ref # 92150)	92150-3775	4
BOLT,SOCKET,6X30 (Ref # 92150A)	92150-3822	6
BOLT,SOCKET,6X25 (Ref # 92150B)	92150-3823	3
WASHER,22.5X32X1 (Ref # 92200)	92200-3742	1