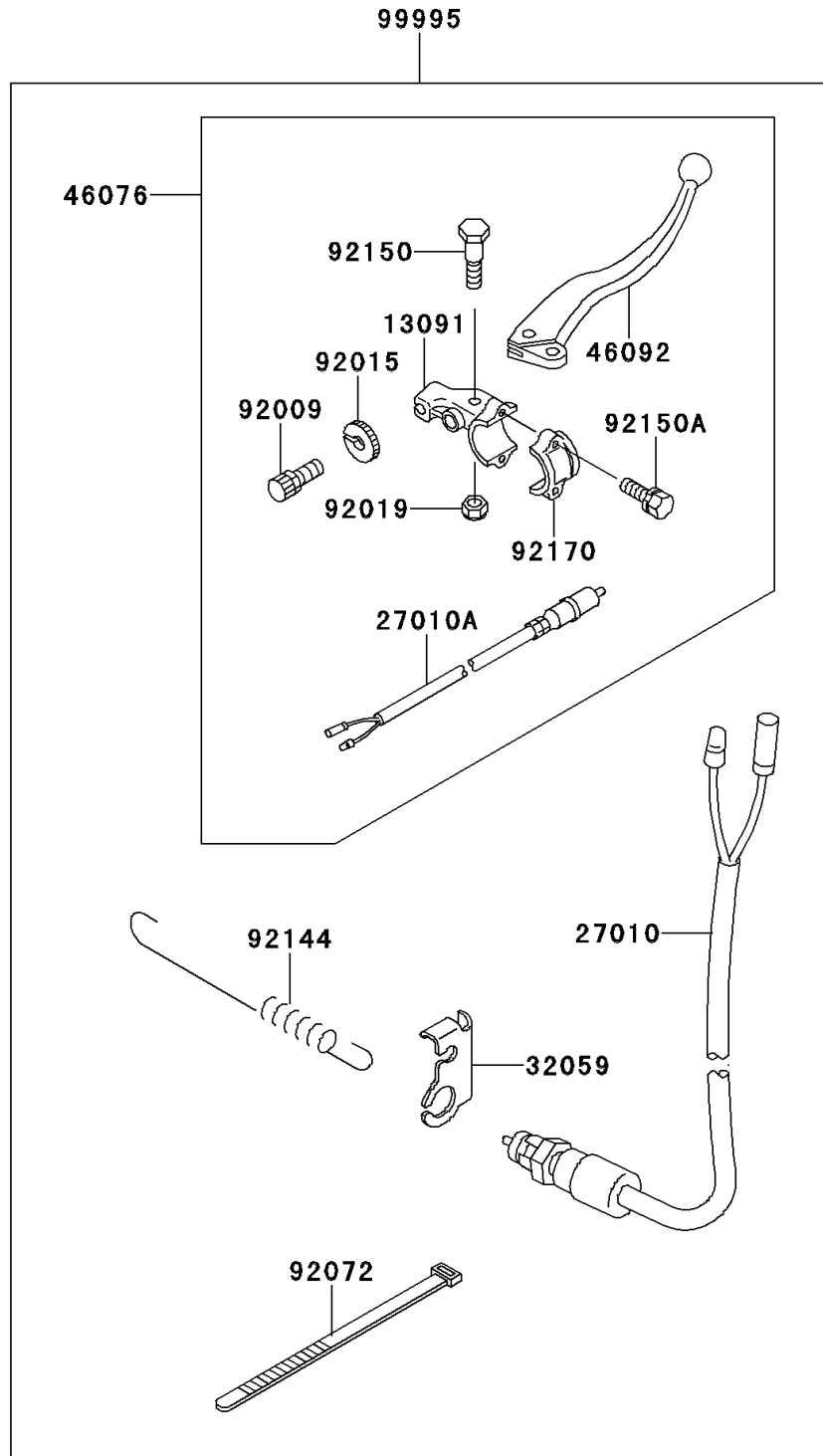


# 2000 Bayou 220 PARTS DIAGRAM

Optional Parts(Brake Switch)

F2890B



## 2000 Bayou 220 PARTS LIST

### Optional Parts(Brake Switch)

ITEM NAME	PART NUMBER	QUANTITY
HOLDER,LEVER,RH (Ref # 13091)	13091-1719	1
SWITCH,BRAKE LAMP (Ref # 27010)	27010-025	1
SWITCH,STOP (Ref # 27010A)	27010-1296	1
BRACKET-SWITCH,REAR BRAKE (Ref # 32059)	32059-1106	1
LEVER-ASSY-GRIP,RH (Ref # 46076)	46076-1179	1
LEVER-GRIP,RH (Ref # 46092)	46092-1168	1
SCREW,CABLE ADJUST,8MM (Ref # 92009)	92009-1435	1
NUT,CABLE ADJUST LOCK,8MM (Ref # 92015)	92015-1596	1
NUT,LOCK,6MM (Ref # 92019)	92019-008	1
BAND,L=123 (Ref # 92072)	92072-030	3
SPRING,BRAKE PEDAL RETURN (Ref # 92144)	92144-1542	1
BOLT (Ref # 92150)	92150-1457	1
BOLT (Ref # 92150A)	92150-1458	2
CLAMP,LEVER HOLDER (Ref # 92170)	92170-1219	1
KIT.,BRAKE SWITCH (Ref # 99995)	99995-1454	1