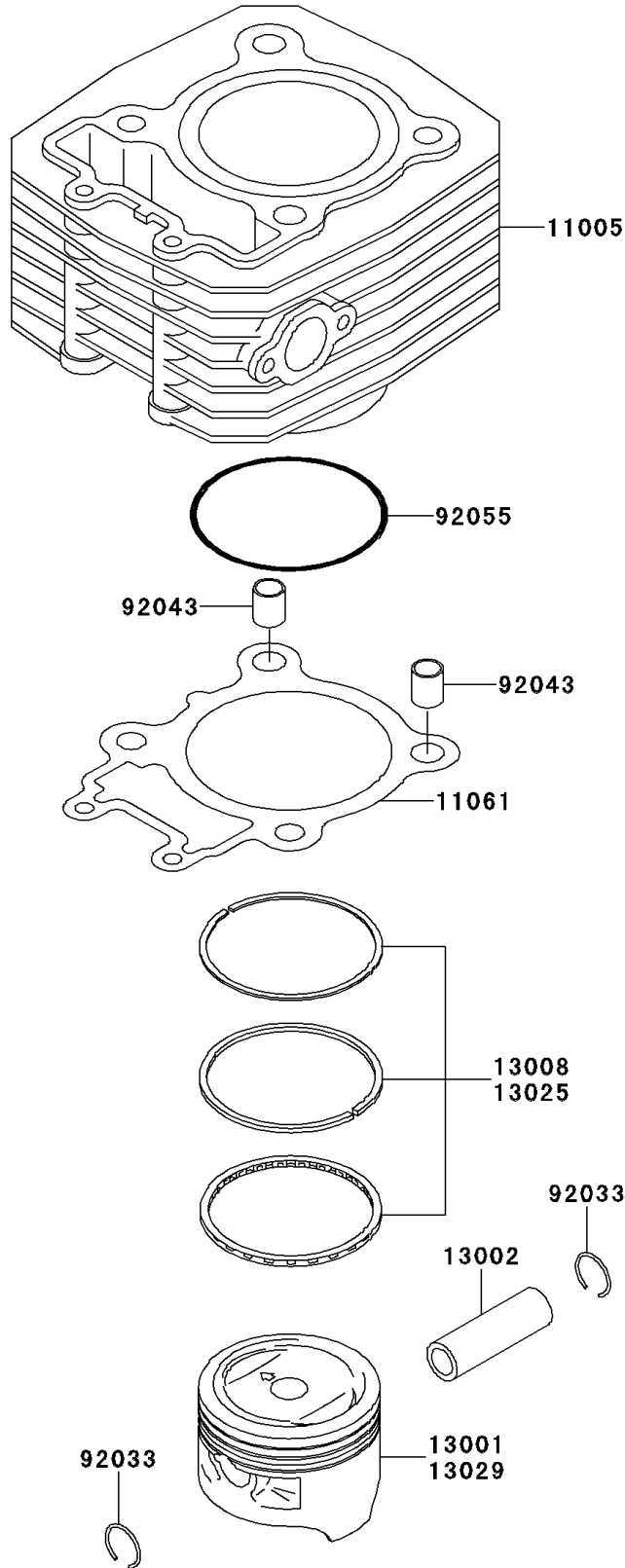


2008 Bayou® 250 PARTS DIAGRAM

Cylinder/Piston(s)

E1120



2008 Bayou® 250 PARTS LIST

Cylinder/Piston(s)

| ITEM NAME | PART NUMBER | QUANTITY |
|--|-------------|----------|
| CYLINDER-ENGINE (Ref # 11005) | 11005-1965 | 1 |
| GASKET,CYLINDER BASE (Ref # 11061) | 11061-1104 | 1 |
| PISTON-ENGINE,STD (Ref # 13001) | 13001-1663 | 1 |
| PIN-PISTON (Ref # 13002) | 13002-1004 | 1 |
| RING-SET-PISTON,STD (Ref # 13008) | 13008-1209 | 1 |
| RING-SET-PISTON L,O/S 0.50 (Ref # 13025) | 13025-0003 | 1 |
| PISTON-ENGINE L,O/S 0.50 (Ref # 13029) | 13029-0003 | 1 |
| RING-SNAP,PISTON PIN (Ref # 92033) | 92033-1161 | 2 |
| PIN,10.1X12X14 (Ref # 92043) | 92043-4009 | 2 |
| RING-O,70.2X74.0X1.90 (Ref # 92055) | 92055-1672 | 1 |