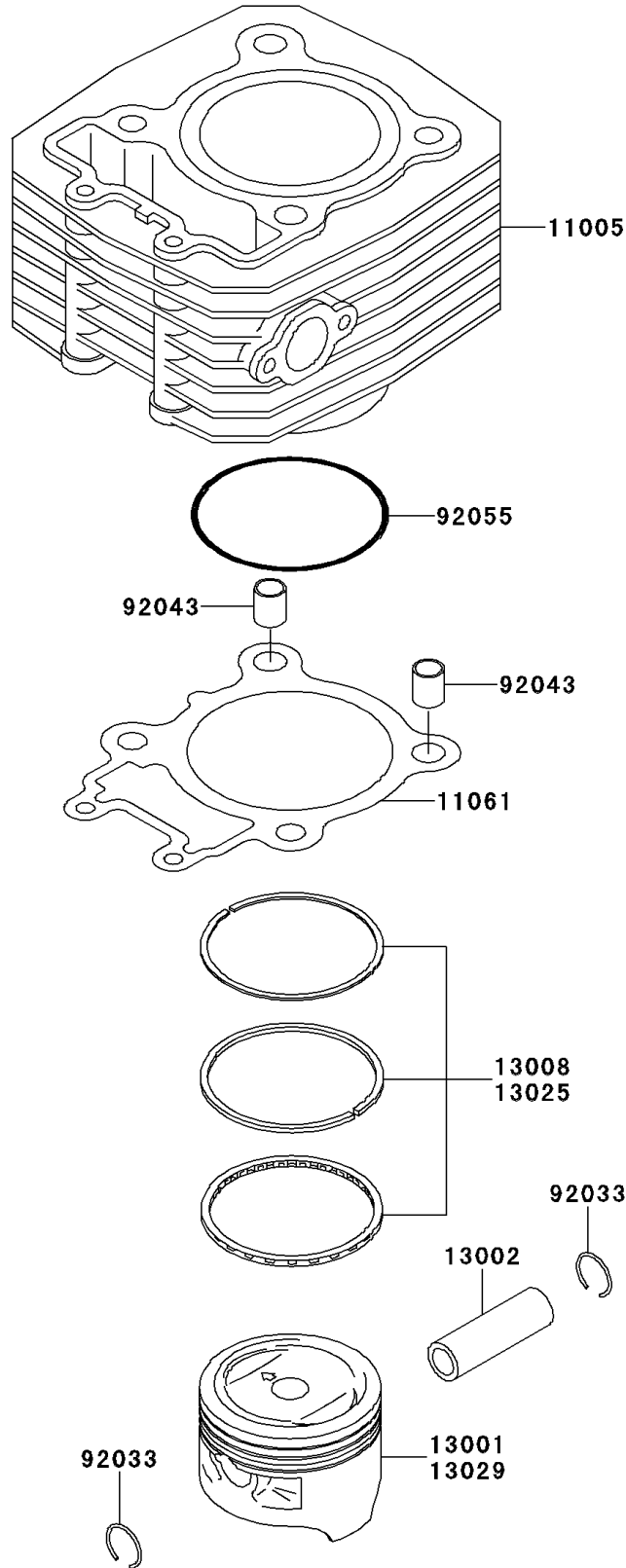


2009 Bayou® 250 PARTS DIAGRAM

Cylinder/Piston(s)

E1120



2009 Bayou® 250 PARTS LIST

Cylinder/Piston(s)

ITEM NAME	PART NUMBER	QUANTITY
CYLINDER-ENGINE (Ref # 11005)	11005-1965	1
GASKET,CYLINDER BASE (Ref # 11061)	11061-1104	1
PISTON-ENGINE,STD (Ref # 13001)	13001-1663	1
PIN-PISTON (Ref # 13002)	13002-1004	1
RING-SET-PISTON,STD (Ref # 13008)	13008-1209	1
RING-SET-PISTON L,O/S 0.50 (Ref # 13025)	13025-0003	1
PISTON-ENGINE L,O/S 0.50 (Ref # 13029)	13029-0003	1
RING-SNAP,PISTON PIN (Ref # 92033)	92033-1161	2
PIN,10.1X12X14 (Ref # 92043)	92043-4009	2
RING-O,70.2X74.0X1.90 (Ref # 92055)	92055-1672	1