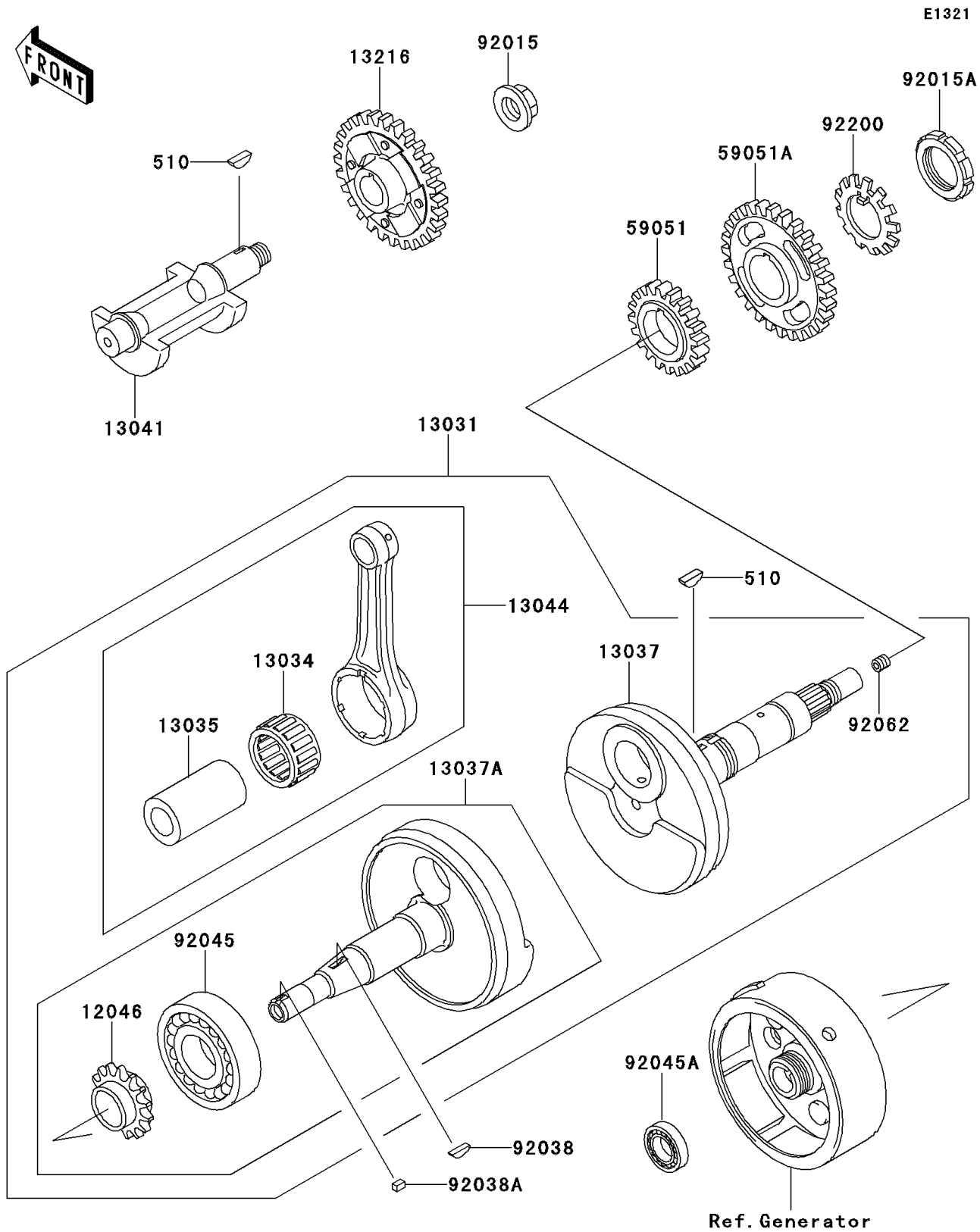


# 2008 Bayou® 250 PARTS DIAGRAM

Crankshaft



## 2008 Bayou® 250 PARTS LIST

### Crankshaft

| ITEM NAME                            | PART NUMBER | QUANTITY |
|--------------------------------------|-------------|----------|
| KEY-WOODRUFF (Ref # 510)             | 510A5100    | 2        |
| SPROCKET,CAM CHAIN,19T (Ref # 12046) | 12046-1152  | 1        |
| CRANKSHAFT-COMP (Ref # 13031)        | 13031-1373  | 1        |
| BEARING-BIG END (Ref # 13034)        | 13034-1098  | 1        |
| PIN-CRANK (Ref # 13035)              | 13035-1063  | 1        |
| CRANKSHAFT,RH (Ref # 13037)          | 13037-1478  | 1        |
| CRANKSHAFT,LH (Ref # 13037A)         | 13037-5085  | 1        |
| BALANCER (Ref # 13041)               | 13041-1127  | 1        |
| SET-CONNECTING ROD (Ref # 13044)     | 13044-5086  | 1        |
| GEAR-COMP,BALANCER (Ref # 13216)     | 13216-1184  | 1        |
| GEAR,OIL PUMP,30T (Ref # 59051)      | 59051-1187  | 1        |
| GEAR-SPUR,39T (Ref # 59051A)         | 59051-1188  | 1        |
| NUT,16MM (Ref # 92015)               | 92015-1465  | 1        |
| NUT,PUMP GEAR,30MM (Ref # 92015A)    | 92015-1511  | 1        |
| KEY,WOODRUFF (Ref # 92038)           | 92038-001   | 1        |
| KEY,SUNK (Ref # 92038A)              | 92038-1051  | 1        |
| BEARING-BALL (Ref # 92045)           | 92045-1172  | 1        |
| BEARING-BALL,6903C3 (Ref # 92045A)   | 92045-1266  | 1        |
| NOZZLE,8X8,SILVER (Ref # 92062)      | 92062-1082  | 1        |
| WASHER,PUMP GEAR (Ref # 92200)       | 92200-1203  | 1        |