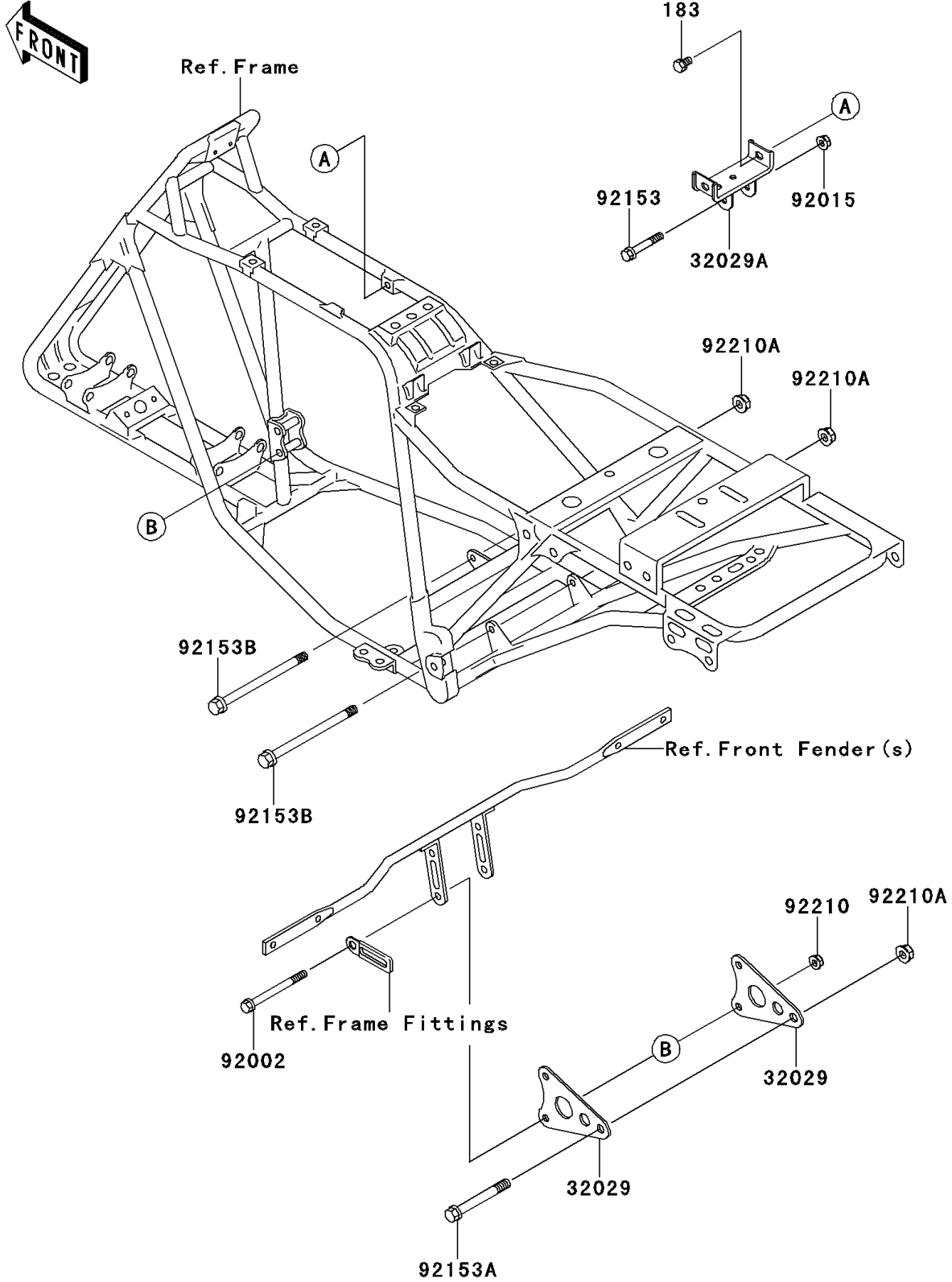


# 2006 Bayou 250 PARTS DIAGRAM

Engine Mount

F2122



## 2006 Bayou 250 PARTS LIST

### Engine Mount

ITEM NAME	PART NUMBER	QUANTITY
BOLT-UPSET-WS-SMALL,8X14 (Ref # 183)	183BB0814	2
BRACKET-ENGINE,FR (Ref # 32029)	32029-1548	2
BRACKET-ENGINE,TOP (Ref # 32029A)	32029-1549	1
BOLT,FLANGED,8X90 (Ref # 92002)	92002-1401	2
NUT,LOCK,FLANGED,8MM (Ref # 92015)	92015-1397	1
BOLT,FLANGED,8X50 (Ref # 92153)	92153-1166	1
BOLT,FLANGED,10X85 (Ref # 92153A)	92153-1167	1
BOLT,FLANGED,10X140 (Ref # 92153B)	92153-1168	2
NUT,FLANGED,8MM (Ref # 92210)	92210-0004	2
NUT,LOCK,FLANGED,10MM (Ref # 92210A)	92210-1081	3