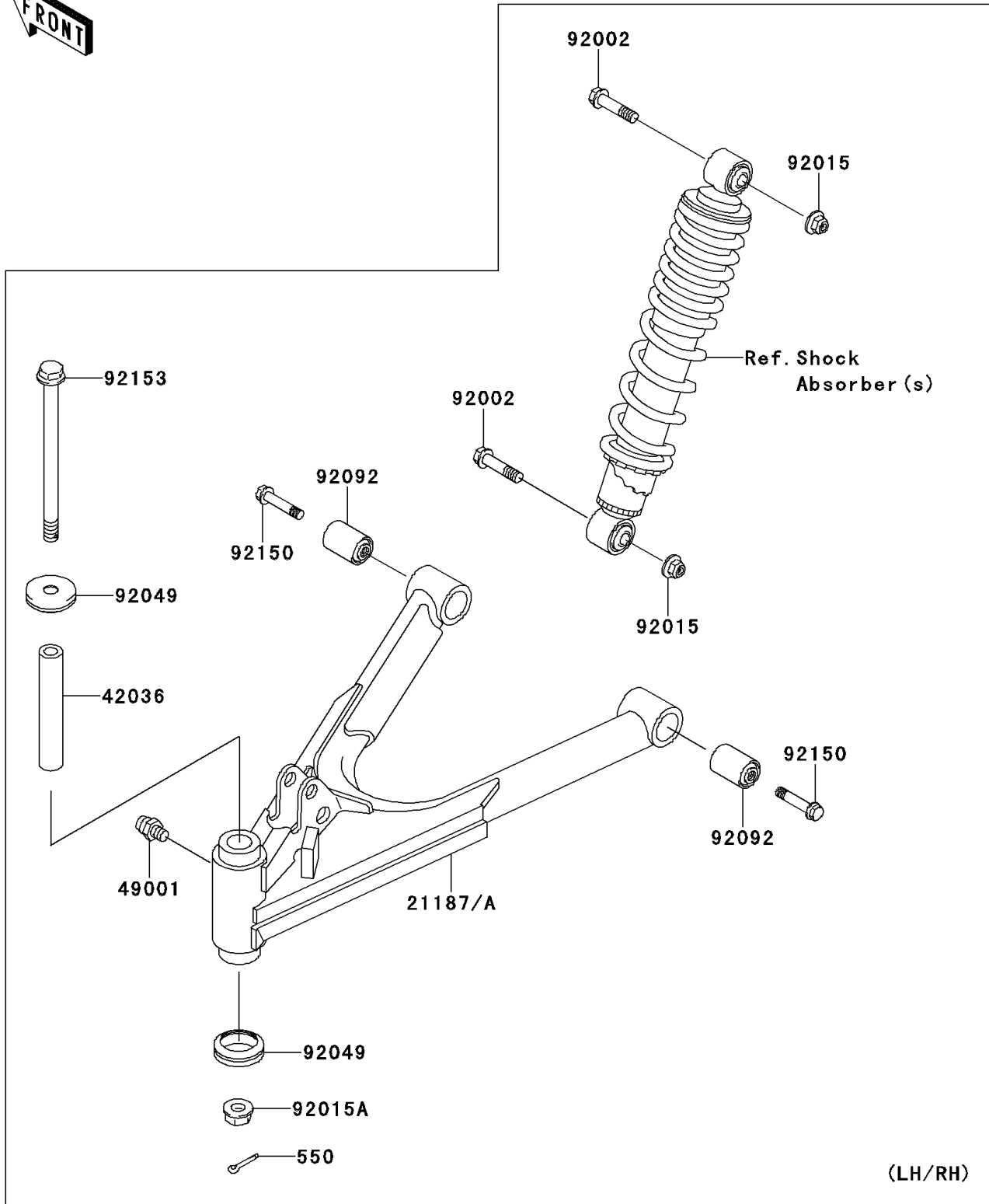


2010 Bayou® 250 PARTS DIAGRAM

Front Suspension

F2152



2010 Bayou® 250 PARTS LIST

Front Suspension

ITEM NAME	PART NUMBER	QUANTITY
PIN-COTTER,2.0X15 (Ref # 550)	550AA2015	2
ARM-ASSY,SUSPENSION,FR,LH (Ref # 21187)	21187-1065	1
ARM-ASSY,SUSPENSION,FR,RH (Ref # 21187A)	21187-1066	1
SLEEVE,KNUCKLE,L=99.6 (Ref # 42036)	42036-1141	2
NIPPLE-GREASE (Ref # 49001)	49001-0001	2
BOLT,FLANGED,10X42 (Ref # 92002)	92002-1545	4
NUT,LOCK,10MM (Ref # 92015)	92015-1597	4
NUT,LOCK,FLANGED,10MM (Ref # 92015A)	92015-1717	2
SEAL-OIL (Ref # 92049)	92049-1285	4
BUSHING-RUBBER (Ref # 92092)	92092-005	4
BOLT,FLANGED,12X58 (Ref # 92150)	92150-1022	4
BOLT,FLANGED,10X142 (Ref # 92153)	92153-1169	2