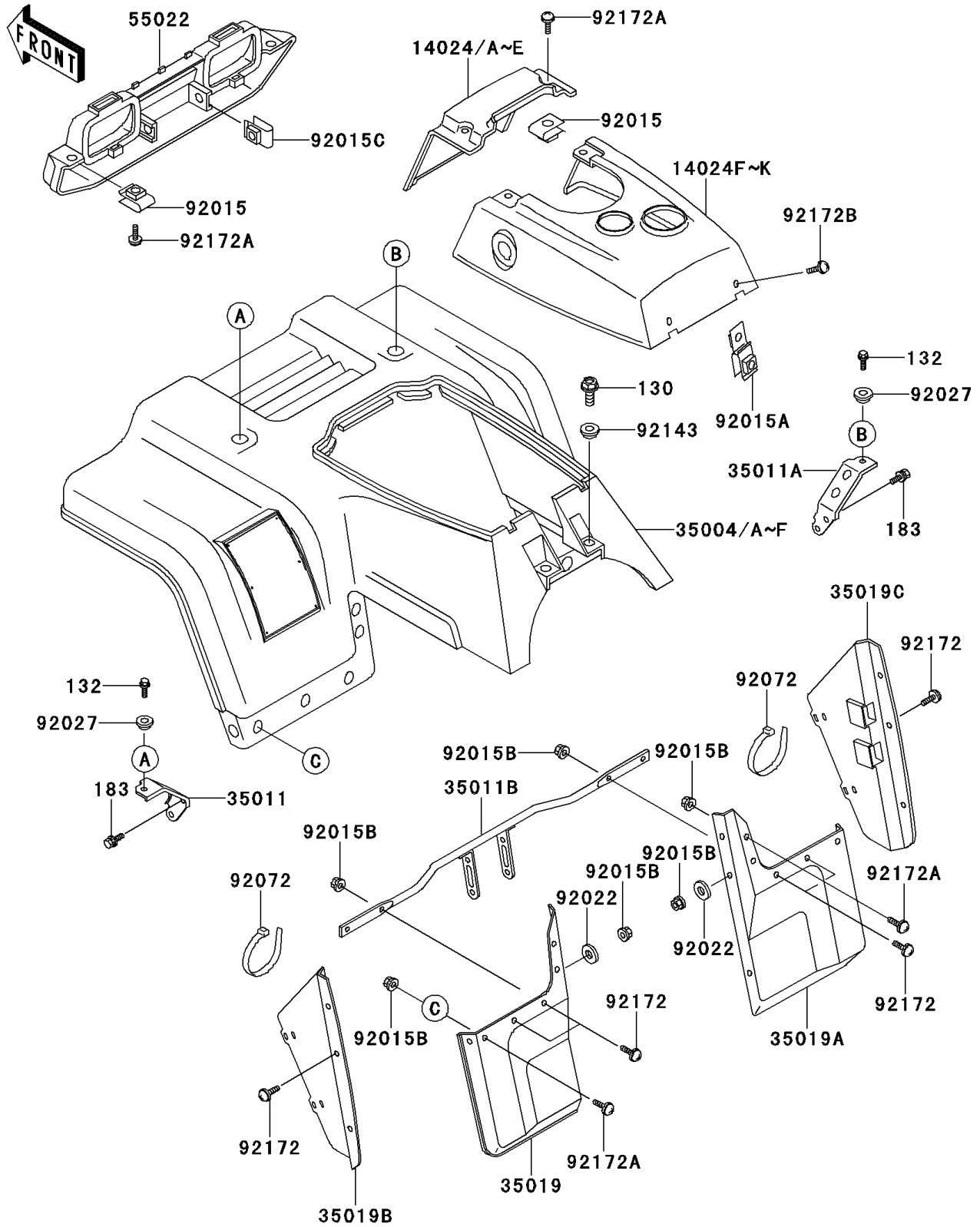


2009 Bayou® 250 PARTS DIAGRAM

Front Fender(s)

F2171



2009 Bayou® 250 PARTS LIST

Front Fender(s)

ITEM NAME	PART NUMBER	QUANTITY
BOLT-FLANGED,6X16 (Ref # 130)	130AB0616	2
BOLT-FLANGED-SMALL,8X20 (Ref # 132)	132BB0820	2
COVER,FRONT FENDER,FR,BLACK (Ref # 14024D)	14024-1475-6D	1
COVER,FRONT FENDER,RR,BLACK (Ref # 14024J)	14024-1476-6D	1
FENDER-FRONT,W.GREEN (Ref # 35004C)	35004-1380-286	1
FENDER-FRONT,S.RED (Ref # 35004E)	35004-1380-6B	1
FENDER-FRONT,P.WHITE (Ref # 35004F)	35004-1380-6F	1
STAY,FRONT FENDER,LH (Ref # 35011)	35011-1361	1
STAY,FRONT FENDER,RH (Ref # 35011A)	35011-1362	1
STAY,FRONT FLAP (Ref # 35011B)	35011-1368	1
FLAP,FR,LH (Ref # 35019)	35019-1195	1
FLAP,FR,RH (Ref # 35019A)	35019-1196	1
FLAP,FR,INSIDE,LH (Ref # 35019B)	35019-1197	1
FLAP,FR,INSIDE,RH (Ref # 35019C)	35019-1198	1
COVER-HEAD LAMP,BLACK (Ref # 55022)	55022-1060-6D	1
NUT,6MM (Ref # 92015)	92015-1094	4
NUT,PLATE (Ref # 92015A)	92015-1667	2
NUT,LOCK,FLANGED,6MM (Ref # 92015B)	92015-1675	18
NUT,CLIP,8MM (Ref # 92015C)	92015-1691	2
WASHER,6.5X20X1.6 (Ref # 92022)	92022-1804	6
COLLAR (Ref # 92027)	92027-1908	2
BAND,L=188 (Ref # 92072)	92072-1239	4
COLLAR,L=6.5 (Ref # 92143)	92143-1025	2
SCREW,6X18 (Ref # 92172)	92172-0002	10
SCREW,6X14 (Ref # 92172A)	92172-0004	12
SCREW,6X10 (Ref # 92172B)	92172-0005	2
BOLT-UPSET-WS-SMALL,8X14 (Ref # 183)	183BB0814	2