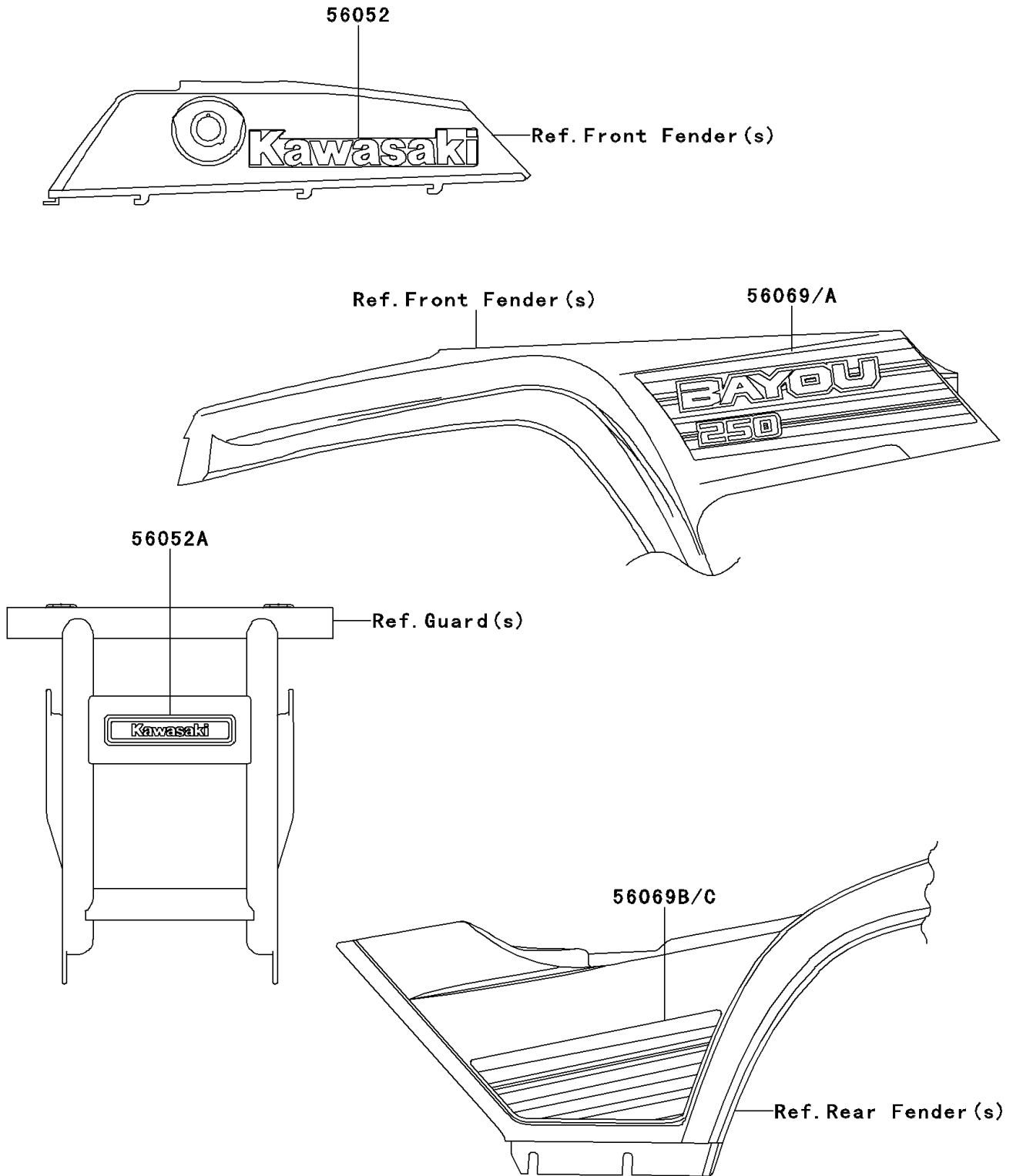


# 2008 Bayou® 250 PARTS DIAGRAM

Decals(Red)(Blue)(AAF)

F28611



## 2008 Bayou® 250 PARTS LIST

Decals(Red)(Blue)(AAF)

ITEM NAME	PART NUMBER	QUANTITY
BOLT-FLANGED,8X12 (Ref # 130)	130BB0812	1
WASHER-PLAIN-SMALL (Ref # 410)	410AA0500	1
WASHER-PLAIN-SMALL (Ref # 410A)	410AA0600	1
CORD-ASSY,SPEEDOMETER (Ref # 21150)	21150-1062	1
BRACKET-METER (Ref # 25008)	25008-1168	1
BRACKET-METER (Ref # 25008A)	25008-1169	1
METER-ASSY,SPEED,MPH (Ref # 25031)	25031-1234	1
GEAR-METER SCREW (Ref # 41060)	41060-1117	1
CABLE-SPEEDOMETER (Ref # 54001)	54001-1165	1
NUT,LOCK,5MM (Ref # 92015)	92015-1221	2
WASHER,5.5X20X1.2 (Ref # 92022)	92022-1405	4
RING-O,ID=13.8 (Ref # 92055)	92055-1141	1
BULB,12V 3.4W,T10 (Ref # 92069)	92069-1007	1
BAND,L=123 (Ref # 92072)	92072-030	3
BAND,L=149 (Ref # 92072A)	92072-031	1
DAMPER (Ref # 92075)	92075-1409	2
BUSHING-METER GEAR (Ref # 92087)	92087-1054	1
COLLAR,5.5X10X8.5 (Ref # 92143)	92143-1235	2
KIT.,SPEEDOMETER,MPH (Ref # 99999)	99999-1065	1