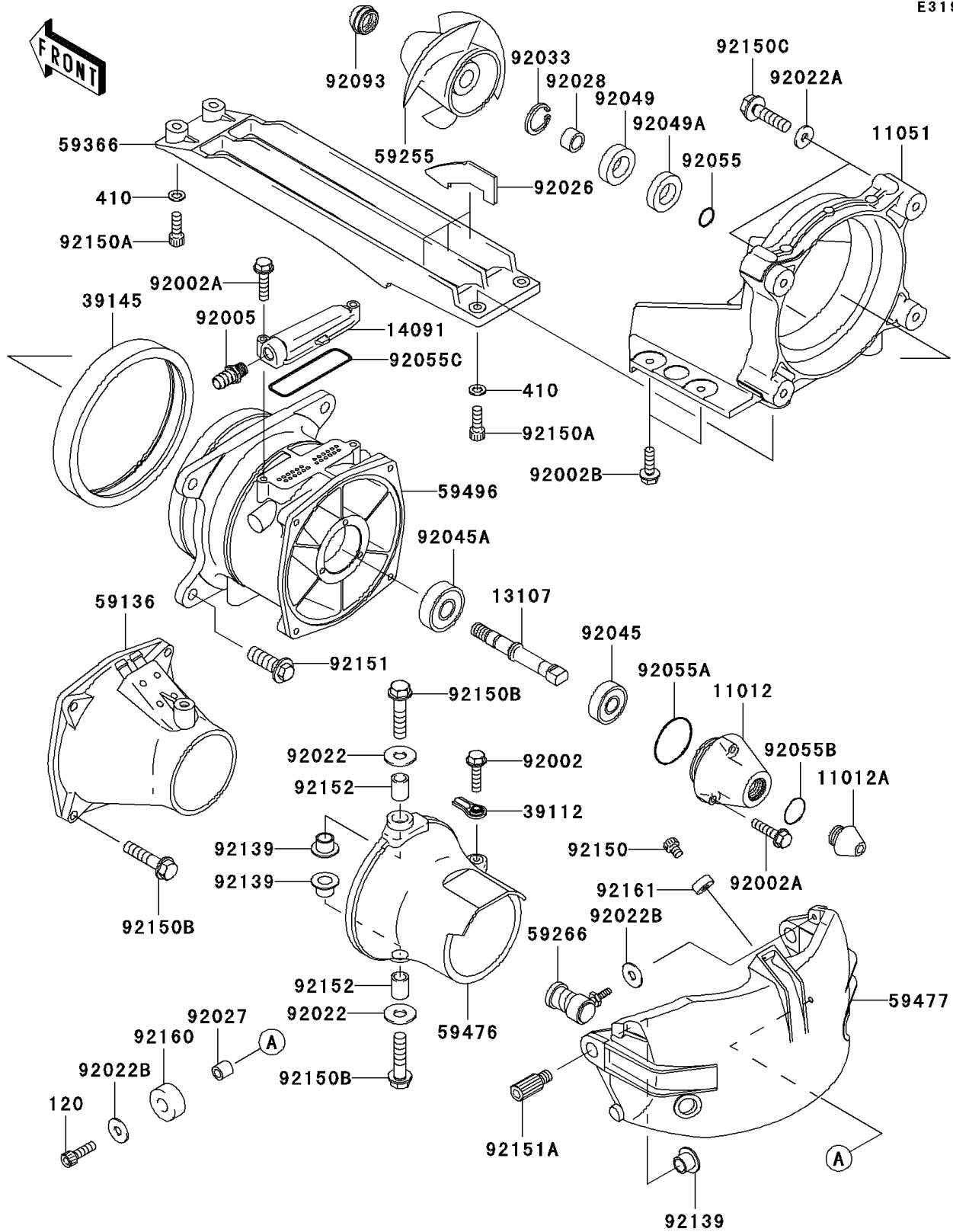


# 2003 900 STX PARTS DIAGRAM

Jet Pump

E3191



## 2003 900 STX PARTS LIST

### Jet Pump

ITEM NAME	PART NUMBER	QUANTITY
CAP (Ref # 11012)	11012-3785	1
CAP (Ref # 11012A)	11012-3786	1
BRACKET (Ref # 11051)	11051-3763	1
SHAFT,JETPUMP (Ref # 13107)	13107-3752	1
COVER,VANE GUIDE (Ref # 14091)	14091-3751	1
RODEND-TIE (Ref # 39112)	39112-3703	1
TRIM-SEAL (Ref # 39145)	39145-3742	1
NOZZLE-PUMP (Ref # 59136)	59136-3747	1
IMPELLER-COMP (Ref # 59255)	59255-3724	1
JOINT-BALL (Ref # 59266)	59266-3707	1
GRATE (Ref # 59366)	59366-3719	1
NOZZLE-STRG (Ref # 59476)	59476-3742	1
BUCKET-REVERSE (Ref # 59477)	59477-3707	1
VANE-GUIDE (Ref # 59496)	59496-3737	1
BOLT,6X25 (Ref # 92002)	92002-3714	1
BOLT,6X30 (Ref # 92002A)	92002-3726	5
BOLT,6X20 (Ref # 92002B)	92002-3755	4
FITTING (Ref # 92005)	92005-3714	1
WASHER,PLAIN (Ref # 92022)	92022-3026	2
WASHER,8.4X23X2.5 (Ref # 92022A)	92022-3744	2
WASHER (Ref # 92022B)	92022-567	2
SPACER (Ref # 92026)	92026-3742	3
COLLAR,6.2X10X10 (Ref # 92027)	92027-3705	1
BUSHING (Ref # 92028)	92028-3756	1
RING-SNAP (Ref # 92033)	92033-3725	1
BEARING-BALL,62022RD (Ref # 92045)	92045-3721	1
BEARING-BALL (Ref # 92045A)	92045-3727	1
SEAL-OIL,SCJ30X50X7 (Ref # 92049)	92049-3720	1
SEAL-OIL,SCY30X50X7 (Ref # 92049A)	92049-3721	1

## 2003 900 STX PARTS LIST

### Jet Pump

ITEM NAME	PART NUMBER	QUANTITY
RING-O,OIL FILTER (Ref # 92055)	92055-1011	1
RING-O (Ref # 92055A)	92055-3741	1
RING-O (Ref # 92055B)	92055-3744	1
RING-O,70.2X74.0X1.90 (Ref # 92055C)	92055-3765	1
SEAL (Ref # 92093)	92093-3749	1
BUSHING (Ref # 92139)	92139-3701	4
BOLT,SOCKET,6X10 (Ref # 92150)	92150-3759	1
BOLT,SOCKET,6X18 (Ref # 92150A)	92150-3775	4
BOLT,8X35 (Ref # 92150B)	92150-3792	6
BOLT,FLANGED,8X30 (Ref # 92150C)	92150-3803	2
BOLT,10X30 (Ref # 92151)	92151-3706	4
BOLT-SOCKET,6X20 (Ref # 120)	120R0620	1
WASHER-PLAIN-SMALL,6MM (Ref # 410)	410S0600	4
BOLT (Ref # 92151A)	92151-3716	2
COLLAR,8.2X11.8X15 (Ref # 92152)	92152-3703	2
DAMPER (Ref # 92160)	92160-3739	1
DAMPER (Ref # 92161)	92161-3717	1