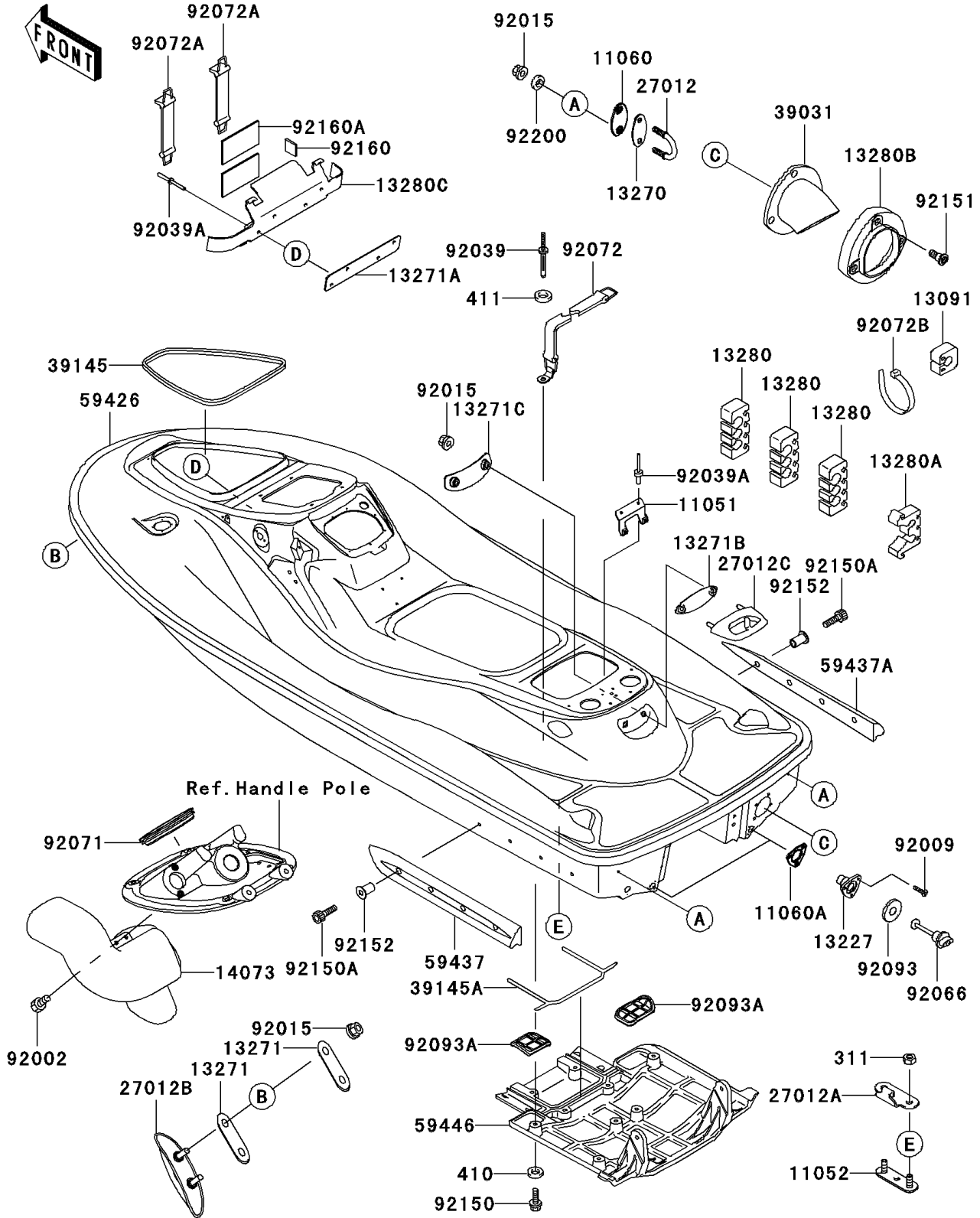


2003 900 STX PARTS DIAGRAM

Hull

F3130



2003 900 STX PARTS LIST

Hull

ITEM NAME	PART NUMBER	QUANTITY
BRACKET,BREATHER-BILGE (Ref # 11051)	11051-3802	1
BRACKET,RR DUCT (Ref # 11052)	11052-3712	1
GASKET,U HOOK,RR (Ref # 11060)	11060-3800	2
GASKET,DRAIN PLUG (Ref # 11060A)	11060-3801	2
HOLDER (Ref # 13091)	13091-3780	2
HOUSING,DRAIN PLUG (Ref # 13227)	13227-3711	2
PLATE (Ref # 13270)	13270-3860	2
PLATE (Ref # 13271)	13271-3724	2
PLATE,FIRE EXTINGUISHER (Ref # 13271A)	13271-3775	1
PLATE (Ref # 13271B)	13271-3858	1
PLATE,REAR TOWING HOOK (Ref # 13271C)	13271-3859	1
HOLDER (Ref # 13280)	13280-3703	3
HOLDER,FUEL FILTER (Ref # 13280A)	13280-3705	1
HOLDER,TAIL PIPE CAP (Ref # 13280B)	13280-3715	1
HOLDER,FIRE EXTINGUISHER (Ref # 13280C)	13280-3740	1
DUCT (Ref # 14073)	14073-3781	1
HOOK (Ref # 27012)	27012-3797	2
HOOK (Ref # 27012A)	27012-3816	1
HOOK,BOW,F.BLACK (Ref # 27012B)	27012-3822-6Z	1
HOOK,REAR TOWING,F.BLACK (Ref # 27012C)	27012-3836-6Z	1
CAP-END,TAIL PIPE (Ref # 39031)	39031-3703	1
TRIM-SEAL,L=1412 (Ref # 39145)	39145-3748	1
TRIM-SEAL,JET PUMP COVER (Ref # 39145A)	39145-3768	1
STABILIZER,LH,F.BLACK (Ref # 59437)	59437-3733-6Z	1
STABILIZER,RH,F.BLACK (Ref # 59437A)	59437-3734-6Z	1
COVER-JET PUMP (Ref # 59446)	59446-3752	1
BOLT,6X20 (Ref # 92002)	92002-3755	2
SCREW,TAPPING,4X16 (Ref # 92009)	92009-3849	6
NUT,FLANGED,8MM (Ref # 92015)	92015-3709	8

2003 900 STX PARTS LIST

Hull

ITEM NAME	PART NUMBER	QUANTITY
RIVET (Ref # 92039)	92039-3741	1
RIVET (Ref # 92039A)	92039-3755	6
PLUG,RR,DRAIN (Ref # 92066)	92066-3744	2
GROMMET (Ref # 92071)	92071-3812	1
BAND,314X18 (Ref # 92072)	92072-3814	1
BAND,TOOL CASE (Ref # 92072A)	92072-3859	2
BAND,L=203.2 (Ref # 92072B)	92072-3867	2
SEAL (Ref # 92093)	92093-3720	2
SEAL (Ref # 92093A)	92093-3765	2
NUT-HEX,6MM (Ref # 311)	311R0600	2
WASHER-PLAIN-SMALL,6MM (Ref # 410)	410S0600	10
WASHER-PLAIN,5MM (Ref # 411)	411S0500	1
BOLT,SOCKET,6X18 (Ref # 92150)	92150-3775	10
BOLT,SOCKET,6X30 (Ref # 92150A)	92150-3822	8
BOLT,SOCKET,M6,SHOULDER (Ref # 92151)	92151-3746	3
COLLAR (Ref # 92152)	92152-3715	8
DAMPER,25X25 (Ref # 92160)	92160-3864	2
DAMPER (Ref # 92160A)	92160-3913	2
WASHER (Ref # 92200)	92200-3779	4
HULL-COMP,J.WHITE (Ref # 59426)	59426-3921-8C	1