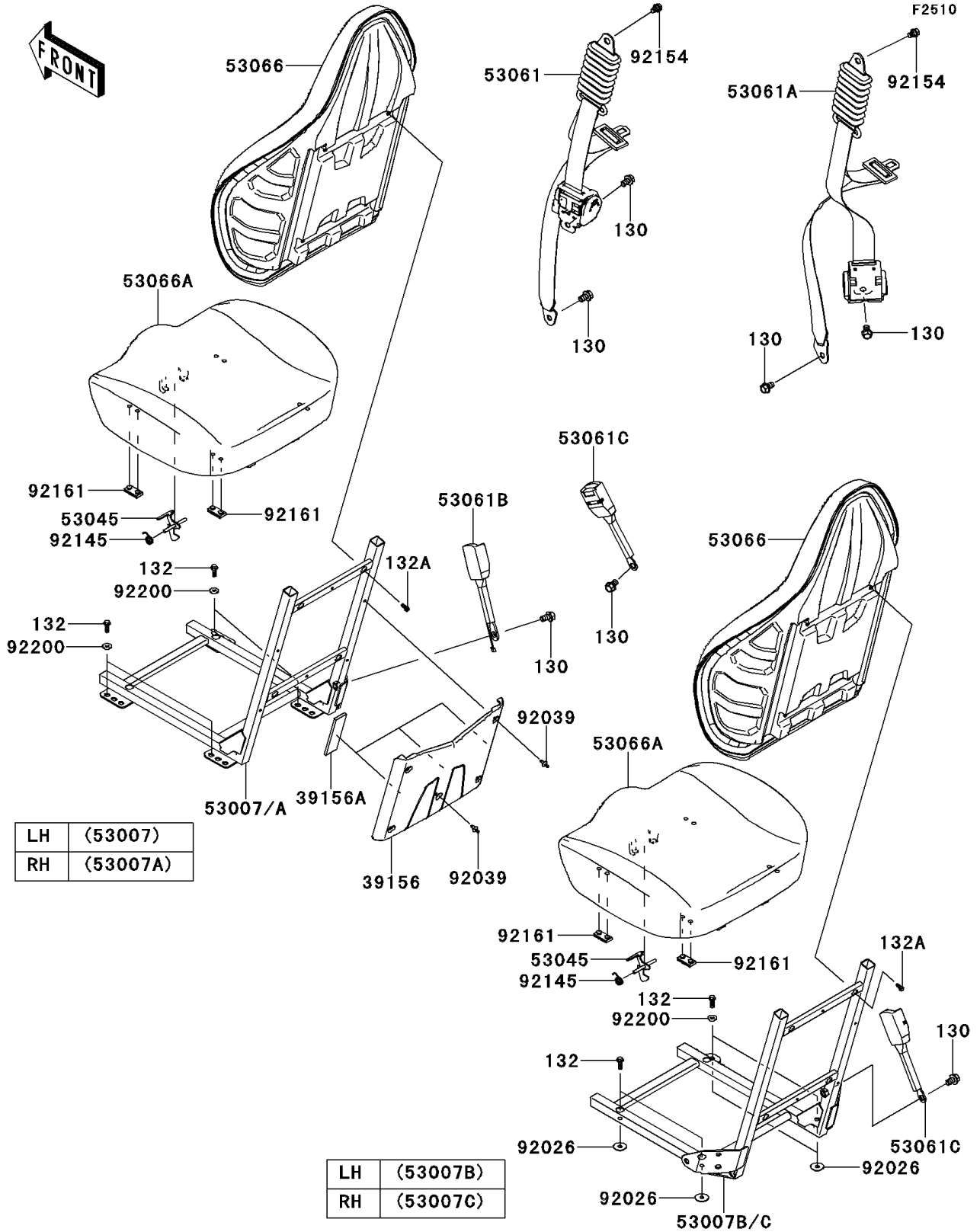


# 2014 TERYX4™ PARTS DIAGRAM

Seat



## 2014 TERYX4™ PARTS LIST

### Seat

ITEM NAME	PART NUMBER	QUANTITY
BOLT-FLANGED,12X20 (Ref # 130)	130BA1220	12
BOLT-FLANGED-SMALL,8X22 (Ref # 132)	132BA0822	16
BOLT-FLANGED-SMALL,6X14 (Ref # 132A)	132BB0614	16
PAD,SEAT BACK (Ref # 39156)	39156-0805	2
PAD,FR SEAT BACK (Ref # 39156A)	39156-0929	6
FRAME-SEAT,FR,LH (Ref # 53007)	53007-0347	1
FRAME-SEAT,FR,RH (Ref # 53007A)	53007-0348	1
FRAME-SEAT,RR,LH (Ref # 53007B)	53007-0349	1
FRAME-SEAT,RR,RH (Ref # 53007C)	53007-0350	1
HOOK-ASSY (Ref # 53045)	53045-0019	4
BELT-SEAT,RETRACTOR,L=2950 (Ref # 53061)	53061-0016	2
BELT-SEAT,RETRACTOR,L=3100 (Ref # 53061A)	53061-0017	2
BELT-SEAT,BUCKLE,SW. (Ref # 53061B)	53061-0018	1
BELT-SEAT,BUCKLE (Ref # 53061C)	53061-0019	3
SEAT-ASSY,BACK,BLACK/SILVER (Ref # 53066)	53066-0394-41H	4
SEAT-ASSY,BOTTOM,SILVER/BLACK (Ref # 53066A)	53066-0420-13Z	4
SPACER,8.6X30X4.5 (Ref # 92026)	92026-0714	8
RIVET,FASTENER (Ref # 92039)	92039-0713	10
SPRING,SEAT LATCH (Ref # 92145)	92145-0022	4
BOLT,10X16 (Ref # 92154)	92154-1136	4
DAMPER,SEAT (Ref # 92161)	92161-1489	16
WASHER,8.2X20.0X2.5 (Ref # 92200)	92200-0205	12