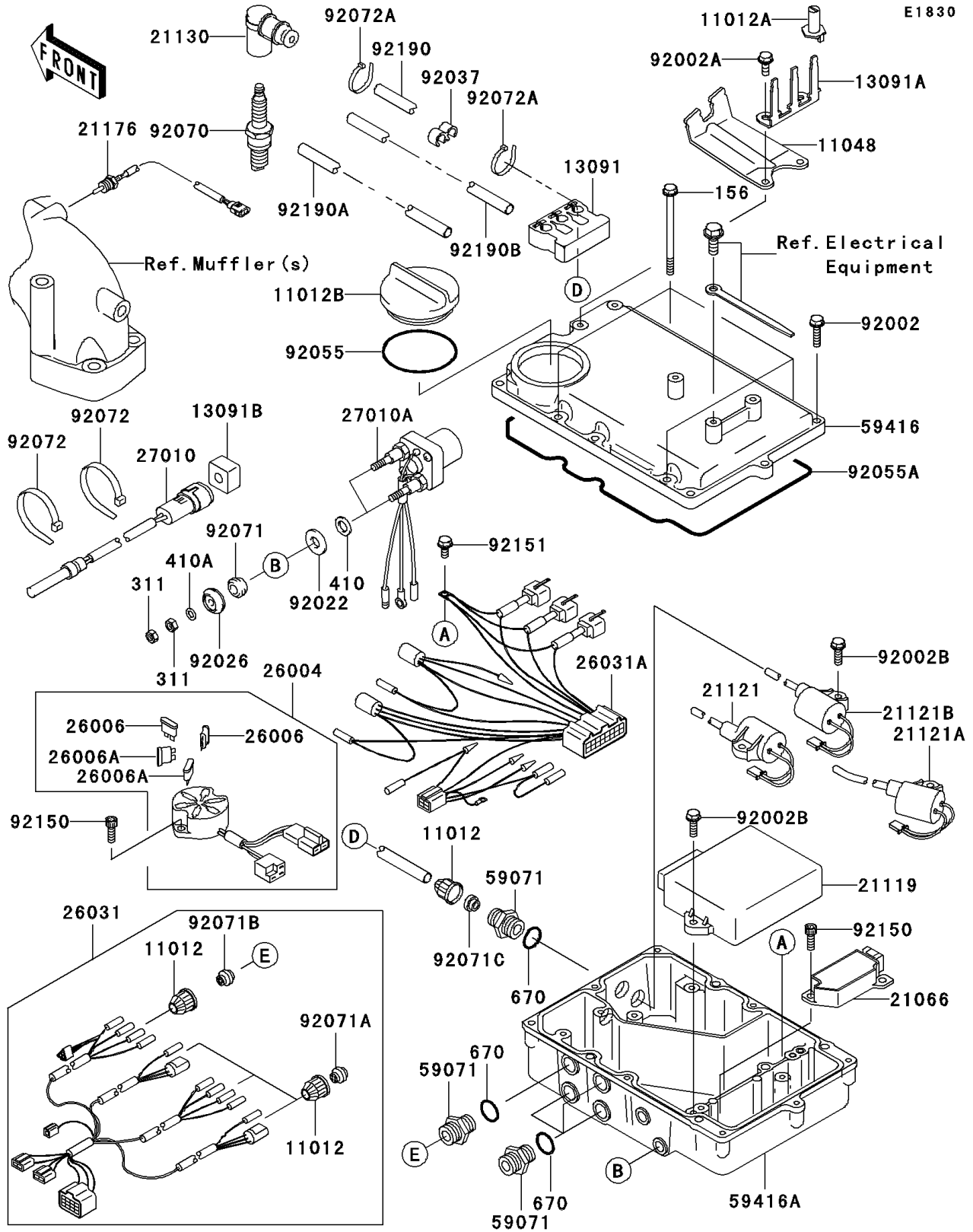


# 2006 900 STX PARTS DIAGRAM

## Ignition System



## 2006 900 STX PARTS LIST

### Ignition System

ITEM NAME	PART NUMBER	QUANTITY
CAP (Ref # 11012)	11012-3005	7
CAP,HOLDER (Ref # 11012A)	11012-3768	3
CAP (Ref # 11012B)	11012-3791	1
BRACKET (Ref # 11048)	11048-3770	1
HOLDER (Ref # 13091)	13091-3785	1
HOLDER (Ref # 13091A)	13091-3800	1
HOLDER (Ref # 13091B)	13091-3804	1
REGULATOR-VOLTAGE (Ref # 21066)	21066-3712	1
IGNITER (Ref # 21119)	21119-3763	1
COIL-IGNITION,#1 (Ref # 21121)	21121-3708	1
COIL-IGNITION,#2 (Ref # 21121A)	21121-3709	1
COIL-IGNITION,#3 (Ref # 21121B)	21121-3710	1
CAP-SPARK PLUG (Ref # 21130)	21130-3706	3
SENSOR,WATER TEMP (Ref # 21176)	21176-3758	1
FUSE-ASSY (Ref # 26004)	26004-3719	1
FUSE,10A-R (Ref # 26006)	26006-1007	2
FUSE,3A-P (Ref # 26006A)	26006-1060	2
HARNESS,CASE-HARNESS (Ref # 26031)	26031-3709	1
HARNESS,IGNITER (Ref # 26031A)	26031-3713	1
SWITCH (Ref # 27010)	27010-3744	1
SWITCH,STARTER RELAY (Ref # 27010A)	27010-3760	1
JOINT (Ref # 59071)	59071-3001	7
CASE-ELECTRIC,UPP (Ref # 59416)	59416-3760	1
CASE-ELECTRIC,LWR (Ref # 59416A)	59416-3764	1
BOLT,6X25 (Ref # 92002)	92002-3714	8
BOLT,6X16 (Ref # 92002A)	92002-3728	2
BOLT,6X20 (Ref # 92002B)	92002-3755	5
WASHER (Ref # 92022)	92022-3035	2
SPACER (Ref # 92026)	92026-3703	2

## 2006 900 STX PARTS LIST

### Ignition System

ITEM NAME	PART NUMBER	QUANTITY
CLAMP,HOSE (Ref # 92037)	92037-1603	3
RING-O (Ref # 92055)	92055-1292	1
RING-O,ELECTRIC (Ref # 92055A)	92055-3738	1
PLUG-SPARK,BR9ES(NGK),SOLID (Ref # 92070)	92070-1157	3
GROMMET (Ref # 92071)	92071-3004	2
GROMMET (Ref # 92071A)	92071-3786	3
GROMMET (Ref # 92071B)	92071-3804	1
GROMMET (Ref # 92071C)	92071-527	3
BAND,L=188 (Ref # 92072)	92072-1239	2
BAND,L=99 (Ref # 92072A)	92072-3871	6
BOLT,SOCKET,6X18 (Ref # 92150)	92150-3775	4
BOLT-WP,6X90 (Ref # 156)	156R0690	4
NUT-HEX,6MM (Ref # 311)	311R0600	4
WASHER-PLAIN-SMALL,10MM (Ref # 410)	410B1000	2
WASHER-PLAIN-SMALL,6MM (Ref # 410A)	410S0600	2
O RING,16MM (Ref # 670)	670B2016	7
BOLT,6X14 (Ref # 92151)	92151-3788	1
TUBE,HIGH TENSION,L=330 (Ref # 92190)	92190-3707	1
TUBE,8X10X565 (Ref # 92190A)	92190-3942	1
TUBE,8X10X425 (Ref # 92190B)	92190-3943	1