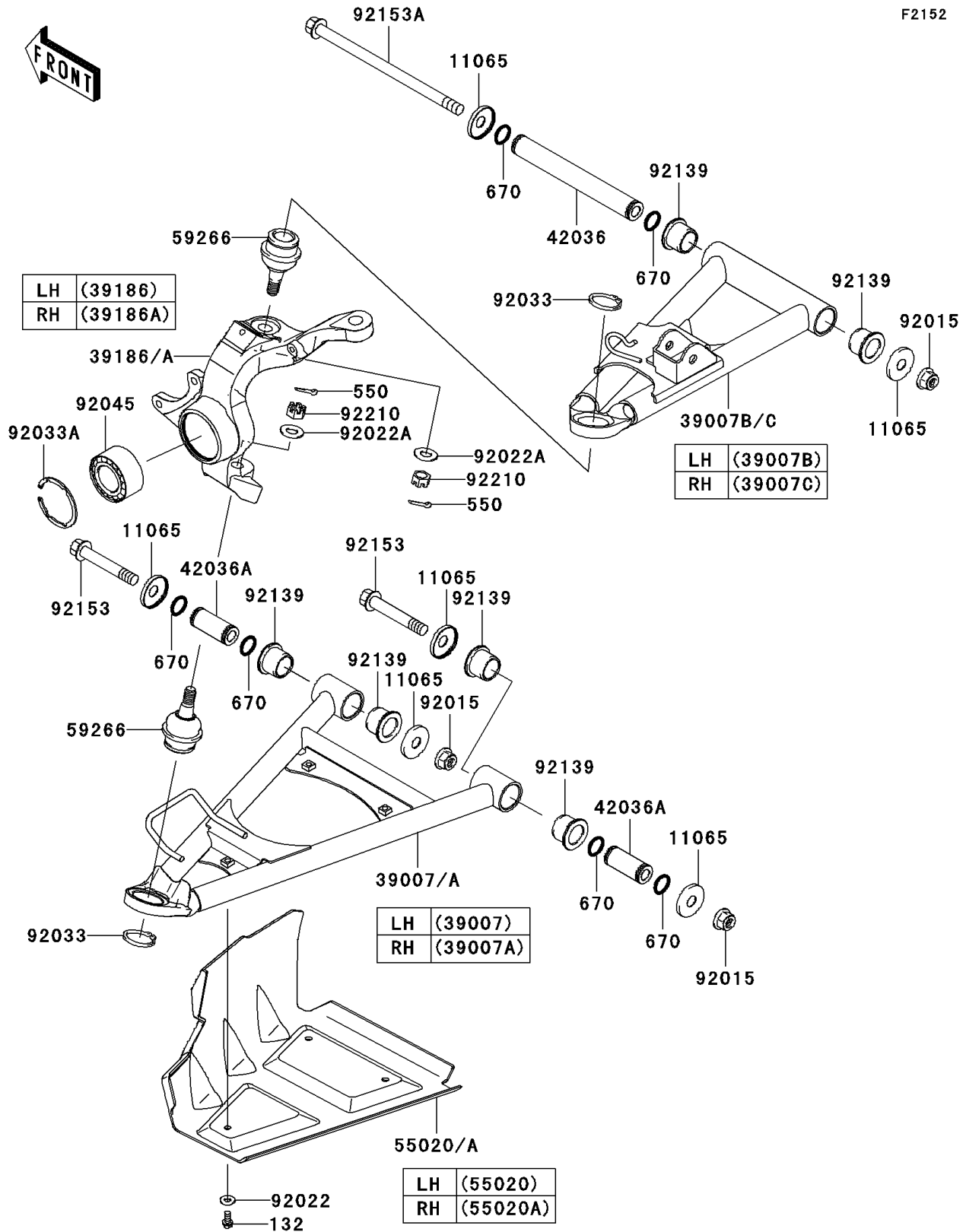


# 2008 Teryx® 750 4x4 LE PARTS DIAGRAM

Front Suspension

F2152



## 2008 Teryx® 750 4x4 LE PARTS LIST

### Front Suspension

ITEM NAME	PART NUMBER	QUANTITY
BOLT-FLANGED-SMALL,6X12 (Ref # 132)	132BB0612	6
PIN-COTTER,3.0X25 (Ref # 550)	550AA3025	4
O RING,18MM (Ref # 670)	670B2018	12
CAP (Ref # 11065)	11065-0253	12
ARM-SUSP,FR,LWR,LH (Ref # 39007)	39007-0082	1
ARM-SUSP,FR,LWR,RH (Ref # 39007A)	39007-0094	1
ARM-SUSP,FR,UPP,LH (Ref # 39007B)	39007-0132	1
ARM-SUSP,FR,UPP,RH (Ref # 39007C)	39007-0133	1
KNUCKLE,FR,LH (Ref # 39186)	39186-0086	1
KNUCKLE,FR,RH (Ref # 39186A)	39186-0087	1
SLEEVE (Ref # 42036)	42036-0061	2
SLEEVE (Ref # 42036A)	42036-0062	4
GUARD,FR,LH (Ref # 55020)	55020-0308	1
GUARD,FR,RH (Ref # 55020A)	55020-0309	1
JOINT-BALL (Ref # 59266)	59266-0014	4
NUT,LOCK,FLANGED,12MM (Ref # 92015)	92015-1433	6
WASHER,7X16X1.2 (Ref # 92022)	92022-1344	6
WASHER (Ref # 92022A)	92022-1831	4
RING-SNAP,C-TYPE,32MM (Ref # 92033)	92033-1262	4
RING-SNAP,55MM (Ref # 92033A)	92033-1274	2
BEARING-BALL,DAC3055W-3CS31 (Ref # 92045)	92045-0123	2
BUSHING (Ref # 92139)	92139-0231	12
BOLT,FLANGED,12X76.5 (Ref # 92153)	92153-1733	4
BOLT,FLANGED,12X213 (Ref # 92153A)	92153-1958	2
NUT,CASTLE,12MM (Ref # 92210)	92210-0395	4