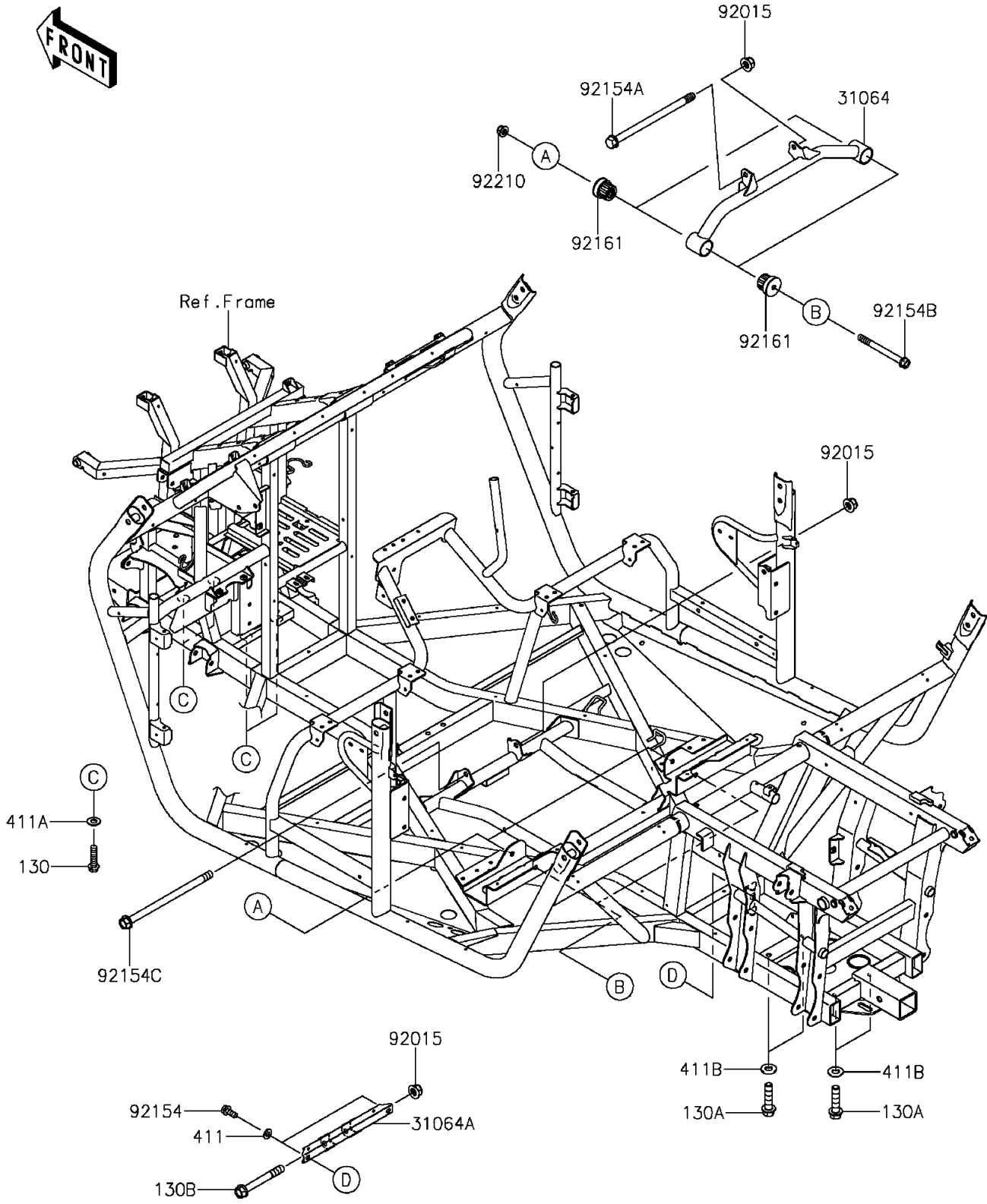


2015 TERYX® LE PARTS DIAGRAM

Engine Mount

F2122



2015 TERYX® LE PARTS LIST

Engine Mount

| ITEM NAME | PART NUMBER | QUANTITY |
|--|-------------|----------|
| BOLT-FLANGED,10X40 (Ref # 130) | 130BA1040 | 4 |
| BOLT-FLANGED,12X50 (Ref # 130A) | 130BA1250 | 4 |
| BOLT-FLANGED,12X95 (Ref # 130B) | 130BA1295 | 1 |
| WASHER-PLAIN (Ref # 411) | 411AA0800 | 2 |
| WASHER-PLAIN,10MM (Ref # 411A) | 411AA1000 | 4 |
| WASHER-PLAIN,12MM (Ref # 411B) | 411AA1200 | 4 |
| PIPE-COMP,RR FRAME (Ref # 31064) | 31064-0621 | 1 |
| PIPE-COMP,RR GEARCASE MOUNT (Ref # 31064A) | 31064-0626 | 1 |
| NUT,LOCK,FLANGED,12MM (Ref # 92015) | 92015-1433 | 3 |
| BOLT,FLANGED,8X20 (Ref # 92154) | 92154-1130 | 2 |
| BOLT,FLANGED,12X190 (Ref # 92154A) | 92154-1131 | 1 |
| BOLT,FLANGED,10X105 (Ref # 92154B) | 92154-1132 | 2 |
| BOLT,FLANGED,12X200 (Ref # 92154C) | 92154-1133 | 1 |
| DAMPER (Ref # 92161) | 92161-0423 | 4 |
| NUT,LOCK,FLANGED,10MM (Ref # 92210) | 92210-0276 | 2 |