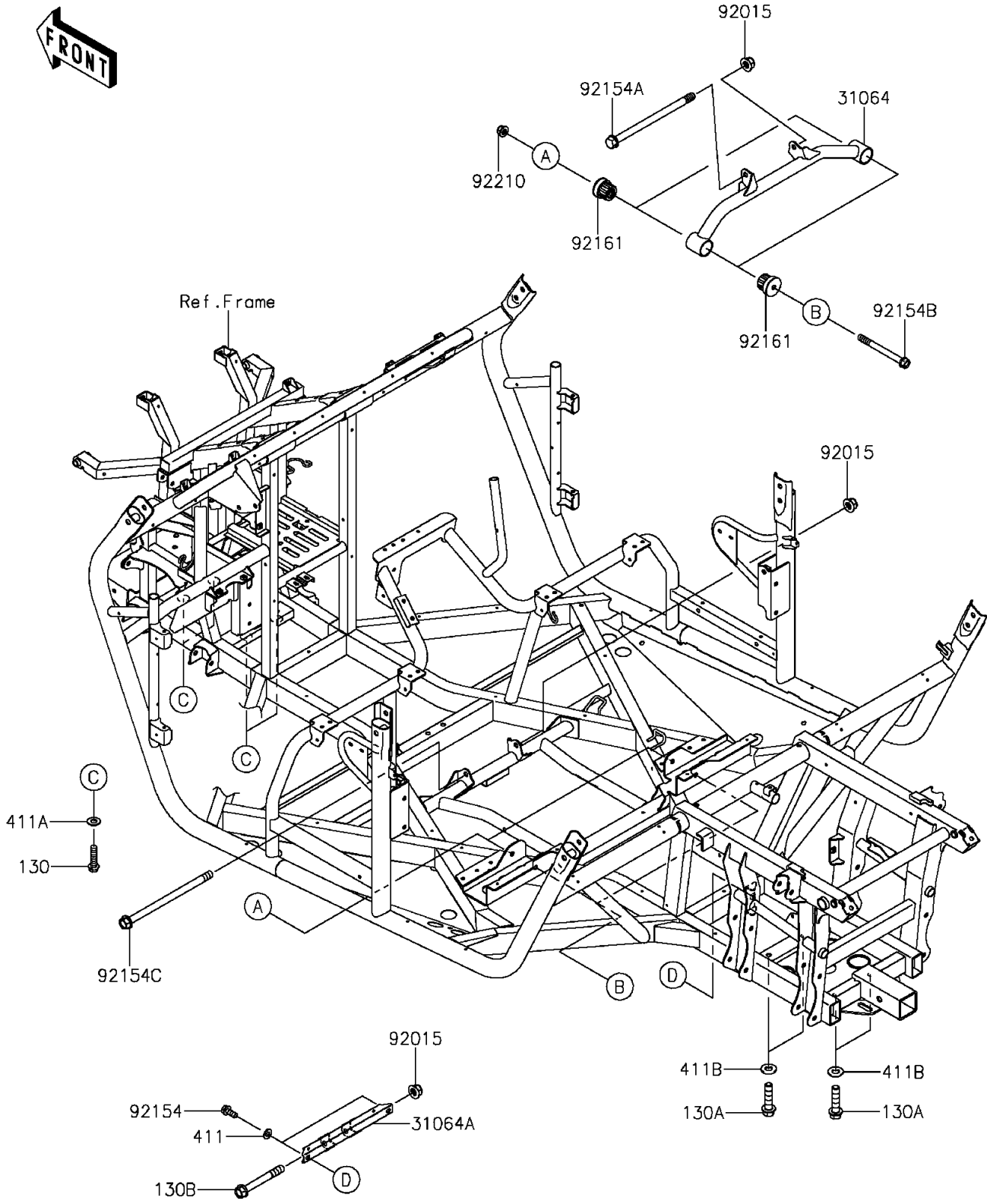


2015 TERYX® CAMO PARTS DIAGRAM

Engine Mount

F2122



2015 TERYX® CAMO PARTS LIST

Engine Mount

ITEM NAME	PART NUMBER	QUANTITY
BOLT-FLANGED,10X40 (Ref # 130)	130BA1040	4
BOLT-FLANGED,12X50 (Ref # 130A)	130BA1250	4
BOLT-FLANGED,12X95 (Ref # 130B)	130BA1295	1
WASHER-PLAIN (Ref # 411)	411AA0800	2
WASHER-PLAIN,10MM (Ref # 411A)	411AA1000	4
WASHER-PLAIN,12MM (Ref # 411B)	411AA1200	4
PIPE-COMP,RR FRAME (Ref # 31064)	31064-0621	1
PIPE-COMP,RR GEARCASE MOUNT (Ref # 31064A)	31064-0626	1
NUT,LOCK,FLANGED,12MM (Ref # 92015)	92015-1433	3
BOLT,FLANGED,8X20 (Ref # 92154)	92154-1130	2
BOLT,FLANGED,12X190 (Ref # 92154A)	92154-1131	1
BOLT,FLANGED,10X105 (Ref # 92154B)	92154-1132	2
BOLT,FLANGED,12X200 (Ref # 92154C)	92154-1133	1
DAMPER (Ref # 92161)	92161-0423	4
NUT,LOCK,FLANGED,10MM (Ref # 92210)	92210-0276	2