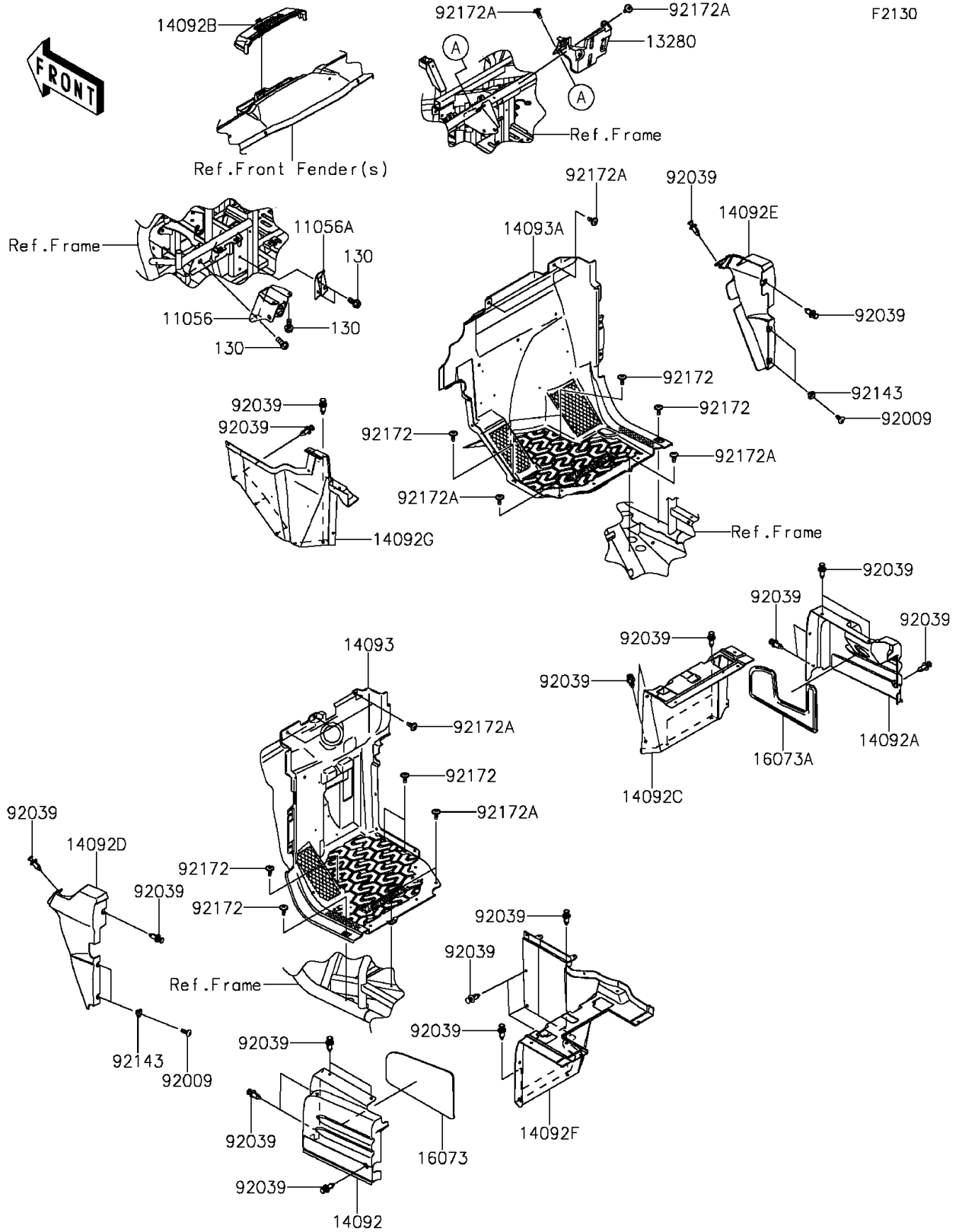


# 2015 TERYX® CAMO PARTS DIAGRAM

## Frame Fittings(Front)



## 2015 TERYX® CAMO PARTS LIST

### Frame Fittings(Front)

ITEM NAME	PART NUMBER	QUANTITY
BOLT-FLANGED,8X18 (Ref # 130)	130BA0818	5
BRACKET,BRAKE PEDAL (Ref # 11056)	11056-1431	1
BRACKET,THROTTLE PEDAL (Ref # 11056A)	11056-4408	1
HOLDER (Ref # 13280)	13280-0782	1
COVER,SEAT SIDE,LH (Ref # 14092)	14092-0720	1
COVER,SEAT SIDE,RH (Ref # 14092A)	14092-0721	1
COVER,FUSE BOX (Ref # 14092B)	14092-0724	1
COVER,FR SEAT,RH (Ref # 14092C)	14092-0757	1
COVER,SIDE GUARD,LH,CAMOUFLAGE (Ref # 14092D)	14092-0804-42H	1
COVER,SIDE GUARD,RH,CAMOUFLAGE (Ref # 14092E)	14092-0805-42H	1
COVER,FR SEAT,LH (Ref # 14092F)	14092-1082	1
COVER,FR SEAT,RH,CNT (Ref # 14092G)	14092-1083	1
COVER,FR FLOOR,LH (Ref # 14093)	14093-5137	1
COVER,FR FLOOR,RH (Ref # 14093A)	14093-5138	1
INSULATOR,SEAT SIDE,LH (Ref # 16073)	16073-0810	1
INSULATOR,SEAT SIDE,RH (Ref # 16073A)	16073-0811	1
SCREW,TAPPING,6X16 (Ref # 92009)	92009-1166	4
RIVET (Ref # 92039)	92039-1229	28
COLLAR (Ref # 92143)	92143-1057	4
SCREW,6X16 (Ref # 92172)	92172-0711	8
SCREW,6X16 (Ref # 92172A)	92172-0826	11