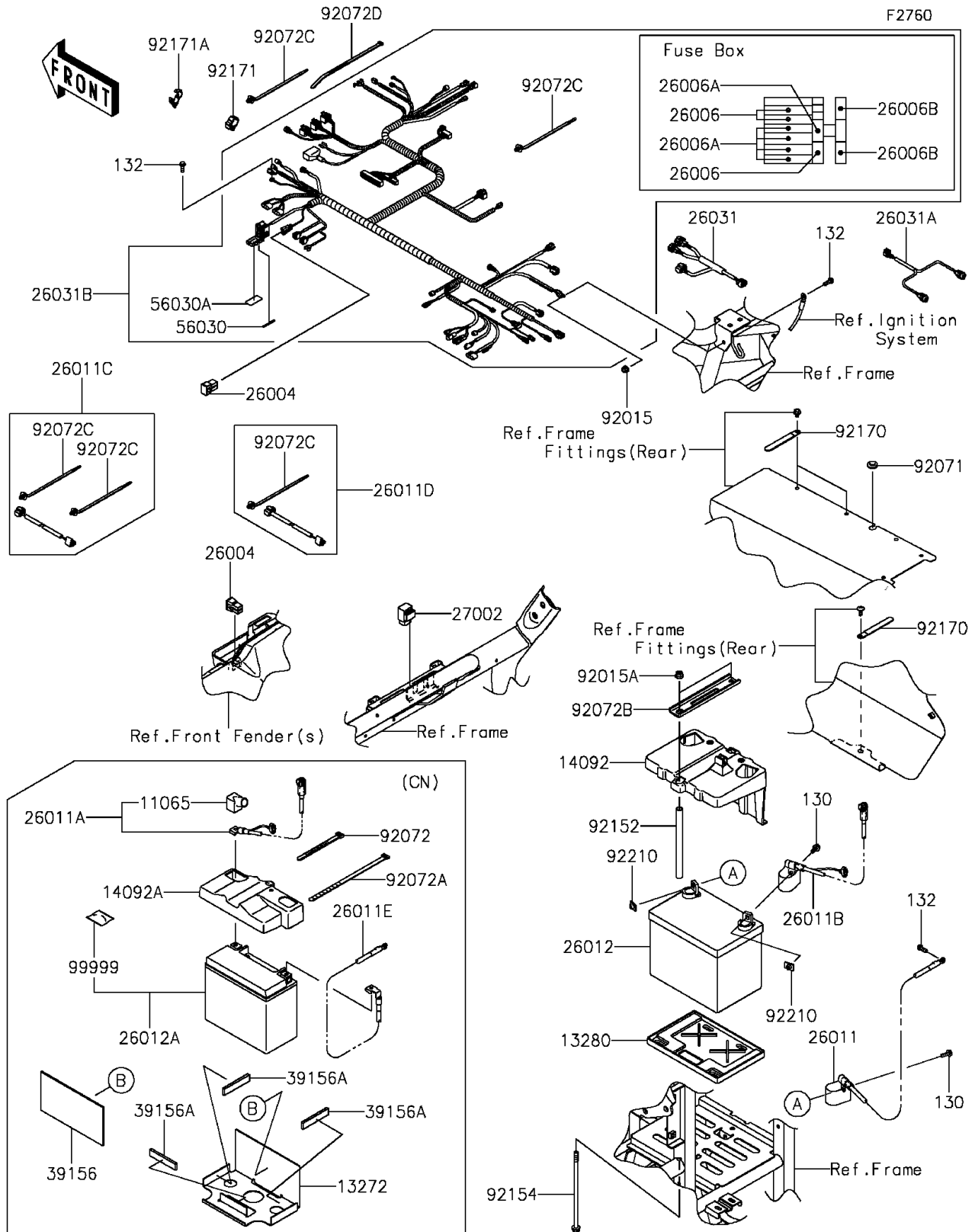


# 2015 TERYX4™ PARTS DIAGRAM

## Chassis Electrical Equipment



## 2015 TERYX4™ PARTS LIST

### Chassis Electrical Equipment

ITEM NAME	PART NUMBER	QUANTITY
HOLDER,BATTERY (Ref # 13280)	13280-0709	1
FUSE-ASSY,40A (Ref # 26004)	26004-1093	2
FUSE,MINI BLADE,15A,BLUE (Ref # 26006)	26006-0001	3
FUSE,MINI BLADE,10A,RED (Ref # 26006A)	26006-0009	5
FUSE,MINI BLADE,30A,GREEN (Ref # 26006B)	26006-1080	2
WIRE-LEAD,HEAD LAMP,LH (Ref # 26011C)	26011-0842	1
WIRE-LEAD,HEAD LAMP,RH (Ref # 26011D)	26011-0843	1
HARNESS,SUB,TPS (Ref # 26031)	26031-1264	1
HARNESS,SUB (Ref # 26031A)	26031-1439	1
HARNESS,MAIN (Ref # 26031B)	26031-1441	1
RELAY-ASSY (Ref # 27002)	27002-1062	1
LABEL,FUSE BOX,30A (Ref # 56030)	56030-0404	1
LABEL,FUSE BOX (Ref # 56030A)	56030-0703	1
NUT,LOCK,FLANGED,6MM (Ref # 92015)	92015-1339	1
NUT,FLANGED,8MM (Ref # 92015A)	92015-1406	2
GROMMET,10X20X6 (Ref # 92071)	92071-0733	1
BOLT-FLANGED-SMALL,6X16 (Ref # 132)	132BA0616	3
BAND (Ref # 92072B)	92072-0707	1
BAND (Ref # 92072C)	92072-1414	14
BAND,L=292.1 (Ref # 92072D)	92072-3509	21
COLLAR,10.2X12.7X165.8 (Ref # 92152)	92152-1555	2
BOLT,FLANGED,8X185 (Ref # 92154)	92154-0889	2
CLAMP (Ref # 92170)	92170-1925	3
CLAMP,BRAKE HOSE (Ref # 92171)	92171-0316	1
CLAMP,DIA=13 (Ref # 92171A)	92171-1415	2
CAP (Ref # 11065)	11065-0755	1
PLATE,BATTERY BOTTOM (Ref # 13272)	13272-1322	1
COVER,BATTERY (Ref # 14092)	14092-0753	1
COVER,BATTERY (Ref # 14092A)	14092-0978	1

## 2015 TERYX4™ PARTS LIST

### Chassis Electrical Equipment

ITEM NAME	PART NUMBER	QUANTITY
WIRE-LEAD,BATTERY(-) (Ref # 26011)	26011-0713	1
WIRE-LEAD,BATTERY(+) (Ref # 26011A)	26011-0726	1
WIRE-LEAD,BATTERY(+) (Ref # 26011B)	26011-0802	1
WIRE-LEAD,BATTERY(-) (Ref # 26011E)	26011-0847	1
BATTERY,12V 14AH (Ref # 26012)	26012-0107	1
BATTERY,YTX20L-BS,12V 18AH (Ref # 26012A)	26012-3730	1
PAD,175X94X3 (Ref # 39156)	39156-0837	1
PAD,15X72X5 (Ref # 39156A)	39156-0838	3
BOLT-FLANGED,6X16 (Ref # 130)	130BA0616	2
BAND,L=123 (Ref # 92072)	92072-030	1
BAND,L=218 (Ref # 92072A)	92072-032	1
NUT,PLATE,6MM (Ref # 92210)	92210-1352	2
BOLT NUT KIT (Ref # 99999)	99999-0311	1