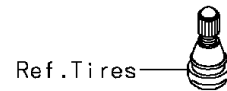
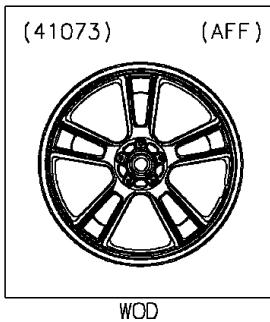
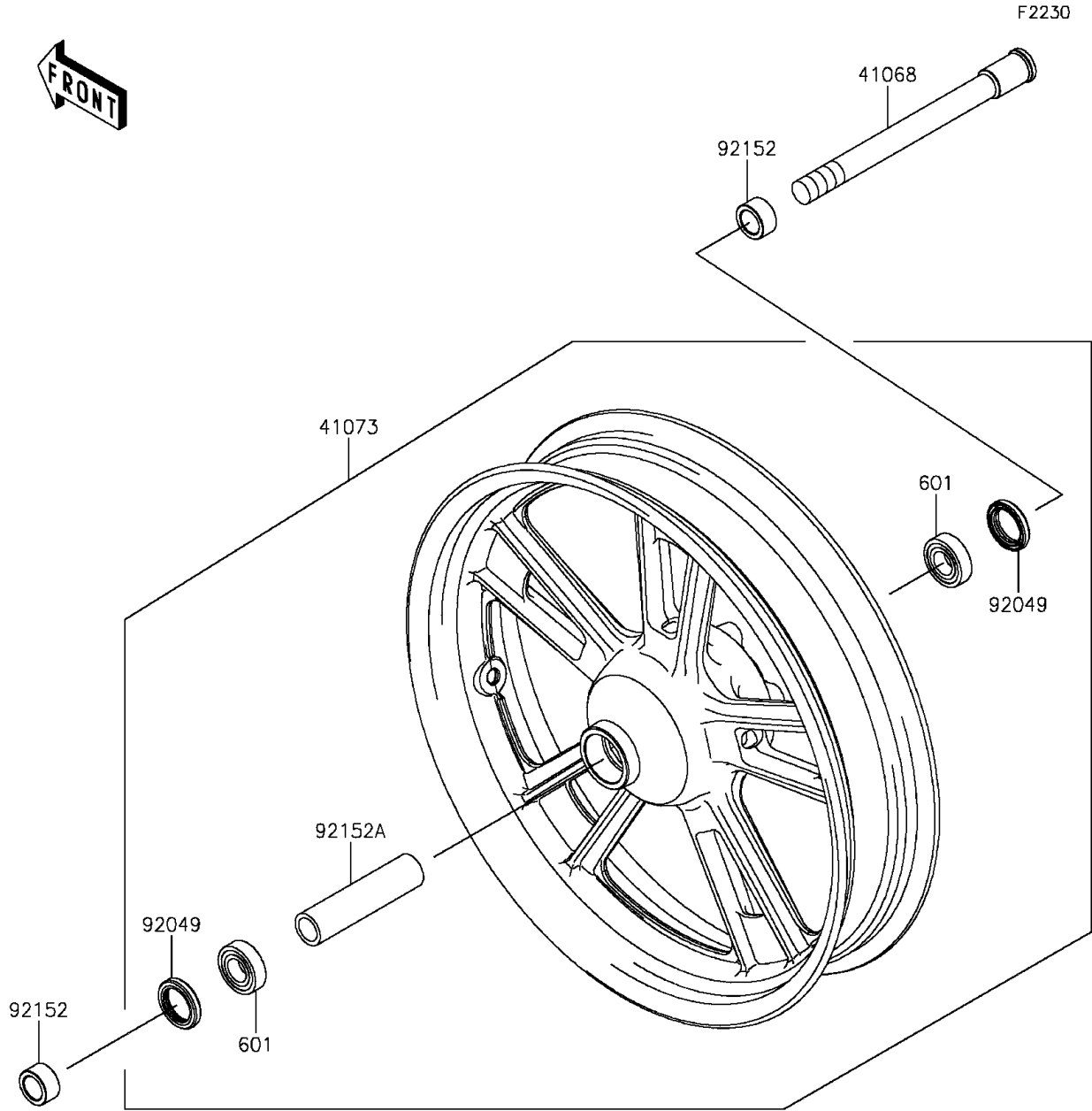


2016 Vulcan® S PARTS DIAGRAM

Front Wheel



2016 Vulcan® S PARTS LIST

Front Wheel

| ITEM NAME | PART NUMBER | QUANTITY |
|-------------------------------------|---------------|----------|
| BEARING-BALL,#6004UUC3 (Ref # 601) | 601B6004UU | 2 |
| AXLE,FR (Ref # 41068) | 41068-0059 | 1 |
| WHEEL-ASSY,FR,G.BLACK (Ref # 41073) | 41073-0653-QT | 1 |
| SEAL-OIL,BJN30427 (Ref # 92049) | 92049-0130 | 2 |
| COLLAR,20X30X15.5 (Ref # 92152) | 92152-0946 | 2 |
| COLLAR,20.2X28X115 (Ref # 92152A) | 92152-0958 | 1 |