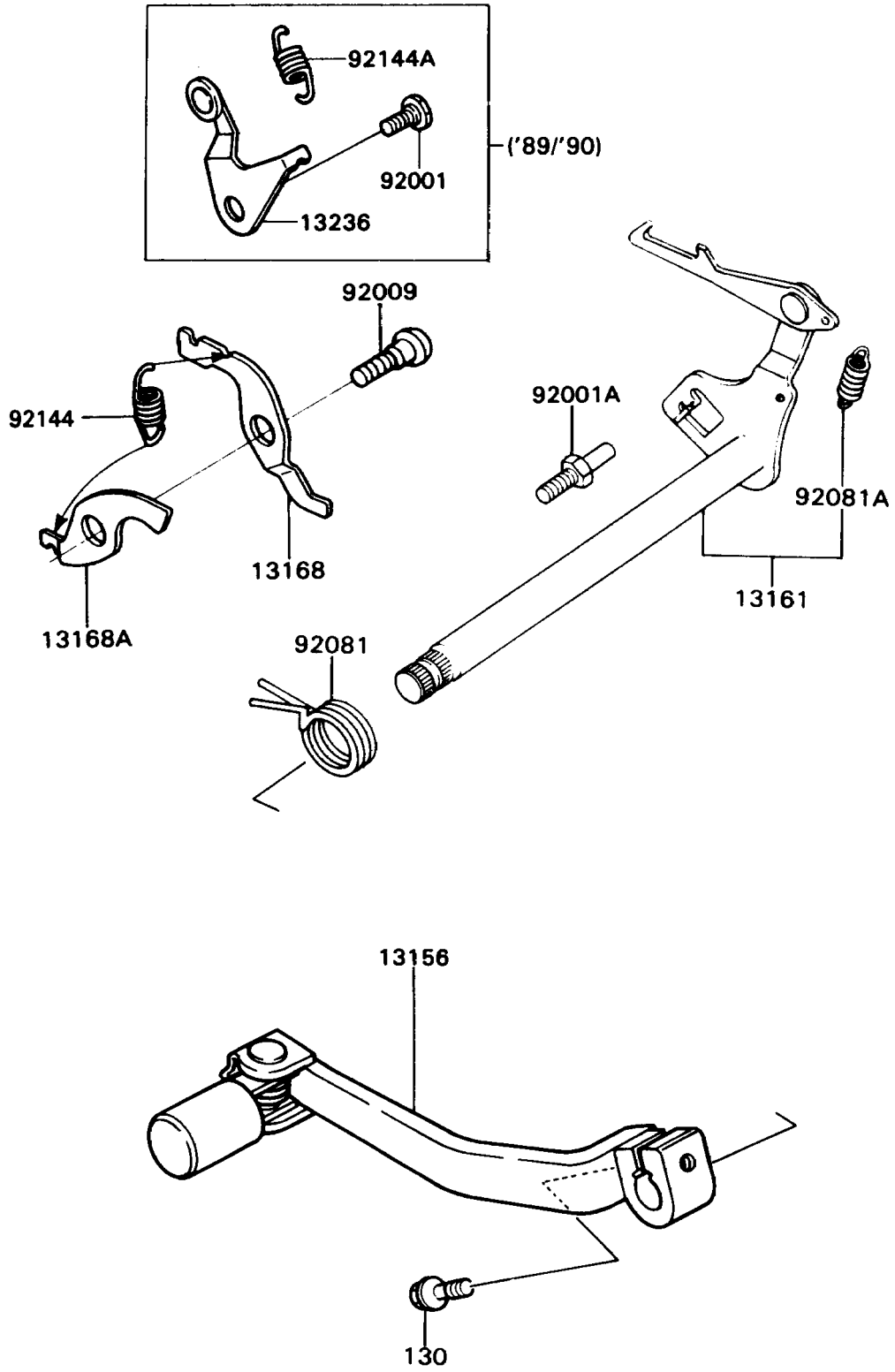


1988 KD80 PARTS DIAGRAM

Gear Change Mechanism

E1370-0187



1988 KD80 PARTS LIST

Gear Change Mechanism

ITEM NAME	PART NUMBER	QUANTITY
LEVER-CHANGE,PEDAL (Ref # 13156)	13156-1272	1
LEVER-COMP-CHANGE SHAFT (Ref # 13161)	13161-1163	1
LEVER,NUETRAL (Ref # 13168)	13168-1234	1
LEVER,SET (Ref # 13168A)	13168-1398	1
BOLT,RETURN SPRING (Ref # 92001A)	92001-1455	1
SCREW,6MM (Ref # 92009)	92011-023	1
SPRING,CHANGE LEVER RETURN (Ref # 92081)	92081-1279	1
SPRING,NEUTRAL POSITION (Ref # 92081A)	92081-156	1
SPRING,SET (Ref # 92144)	92144-1346	1
BOLT-FLANGED,6X25,BLACK (Ref # 130)	130S0625	1