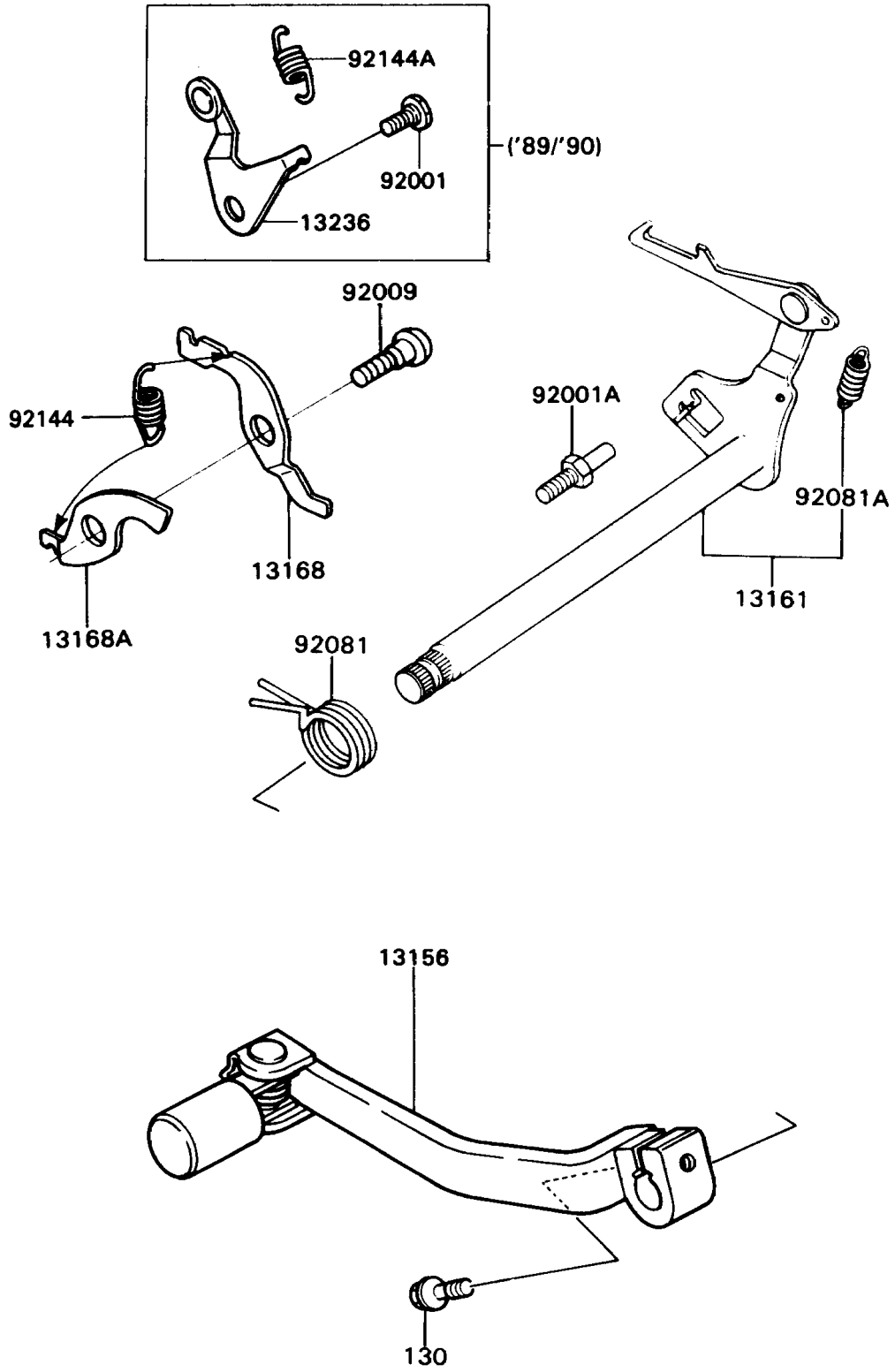


1989 KD80 PARTS DIAGRAM

Gear Change Mechanism

E1370-0187



1989 KD80 PARTS LIST

Gear Change Mechanism

ITEM NAME	PART NUMBER	QUANTITY
LEVER-CHANGE,PEDAL (Ref # 13156)	13156-1272	1
LEVER-COMP-CHANGE SHAFT (Ref # 13161)	13161-1163	1
LEVER-COMP,SET (Ref # 13236)	13236-1193	1
BOLT,CHANGE DRUM LEVER (Ref # 92001)	92001-012	1
BOLT,RETURN SPRING (Ref # 92001A)	92001-1455	1
SPRING,CHANGE LEVER RETURN (Ref # 92081)	92081-1279	1
SPRING,NEUTRAL POSITION (Ref # 92081A)	92081-156	1
SPRING,SET (Ref # 92144A)	92144-1374	1
BOLT-FLANGED,6X25,BLACK (Ref # 130)	130S0625	1