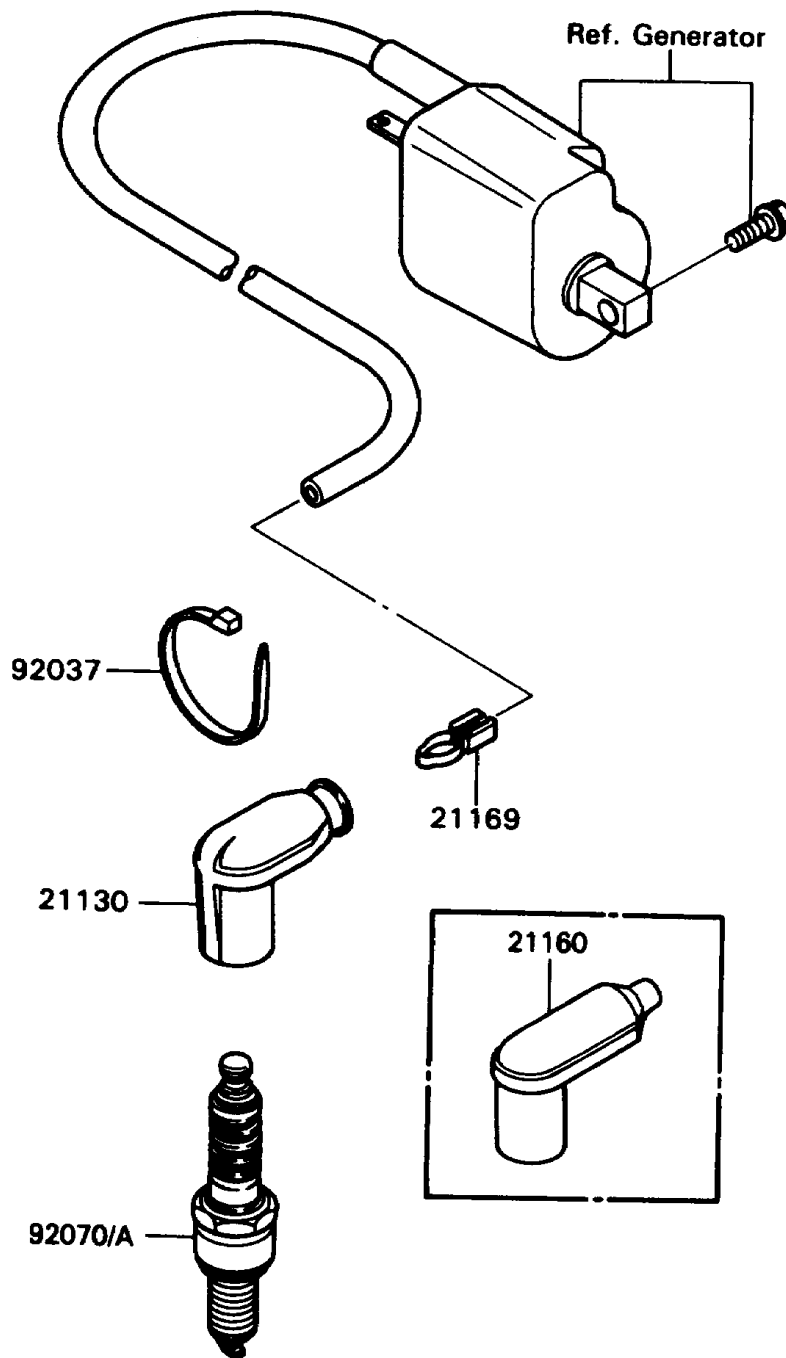


# 1990 KD80 PARTS DIAGRAM

Ignition System

E1830-0280



# 1990 KD80 PARTS LIST

## Ignition System

ITEM NAME	PART NUMBER	QUANTITY
CAP-ASSY-PLUG (Ref # 21160)	21160-1009	1
PLUG-SPARK,BPR8ES(NGK) (Ref # 92070A)	92070-1149	1