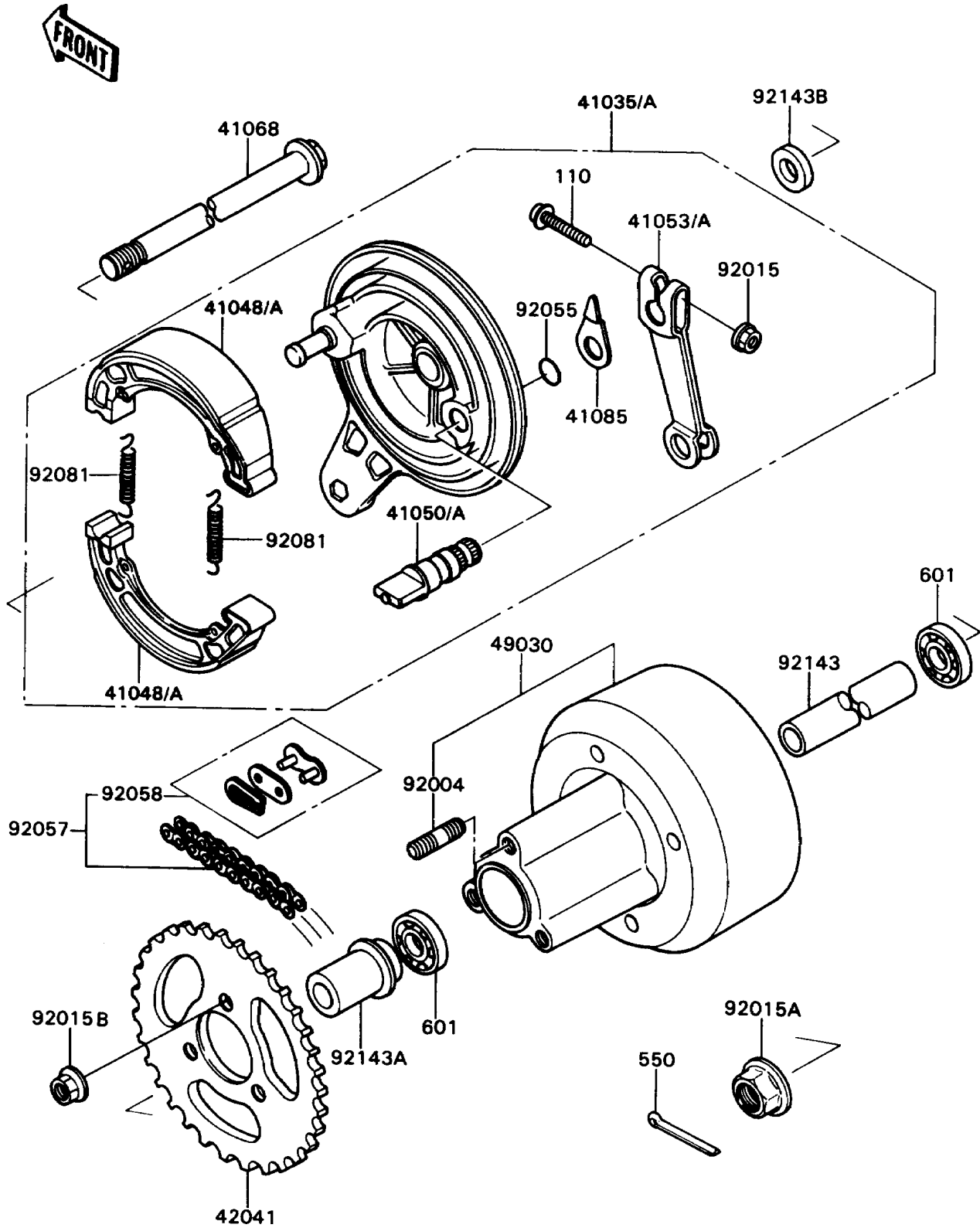


1990 KD80 PARTS DIAGRAM

Rear Hub

F2240-0214



1990 KD80 PARTS LIST

Rear Hub

ITEM NAME	PART NUMBER	QUANTITY
PANEL-ASSY-BRAKE,RR (Ref # 41035A)	41035-1262	1
SHOE-BRAKE (Ref # 41048)	41048-1020	2
CAM-BRAKE (Ref # 41050A)	41050-1080	1
LEVER-BRAKE CAM (Ref # 41053A)	41053-1019	1
AXLE,RR (Ref # 41068)	41068-1263	1
INDICATOR,BRAKE SHOE (Ref # 41085)	41085-003	1
SPROCKET-HUB,34T (Ref # 42041)	42041-1309	1
HUB,RR (Ref # 49030)	49030-1101	1
STUD,8X18 (Ref # 92004)	92004-1189	3
NUT,6MM (Ref # 92015)	41072-007	1
NUT,FLANGED,12MM (Ref # 92015A)	92015-1156	1
NUT,FLANGED,LOCK,8MM (Ref # 92015B)	92015-1668	3
RING-O,BRAKE CAM (Ref # 92055)	92055-004	1
CHAIN,DRIVE,EK420RX102L (Ref # 92057)	92057-1272	1
JOINT-CHAIN (Ref # 92058)	92058-1063	1
SPRING,BRAKE SHOE (Ref # 92081)	92081-1766	2
COLLAR,12.7X17.3X98 (Ref # 92143)	92143-1165	1
COLLAR,L=39.5 (Ref # 92143A)	92143-1168	1
COLLAR,12.2X22X7.5 (Ref # 92143B)	92143-1180	1
BOLT,6X30 (Ref # 110)	110G0630	1
PIN-COTTER,3.0X25 (Ref # 550)	550D3025	1
BEARING-BALL,#6201UG (Ref # 601)	601B6201UG	2