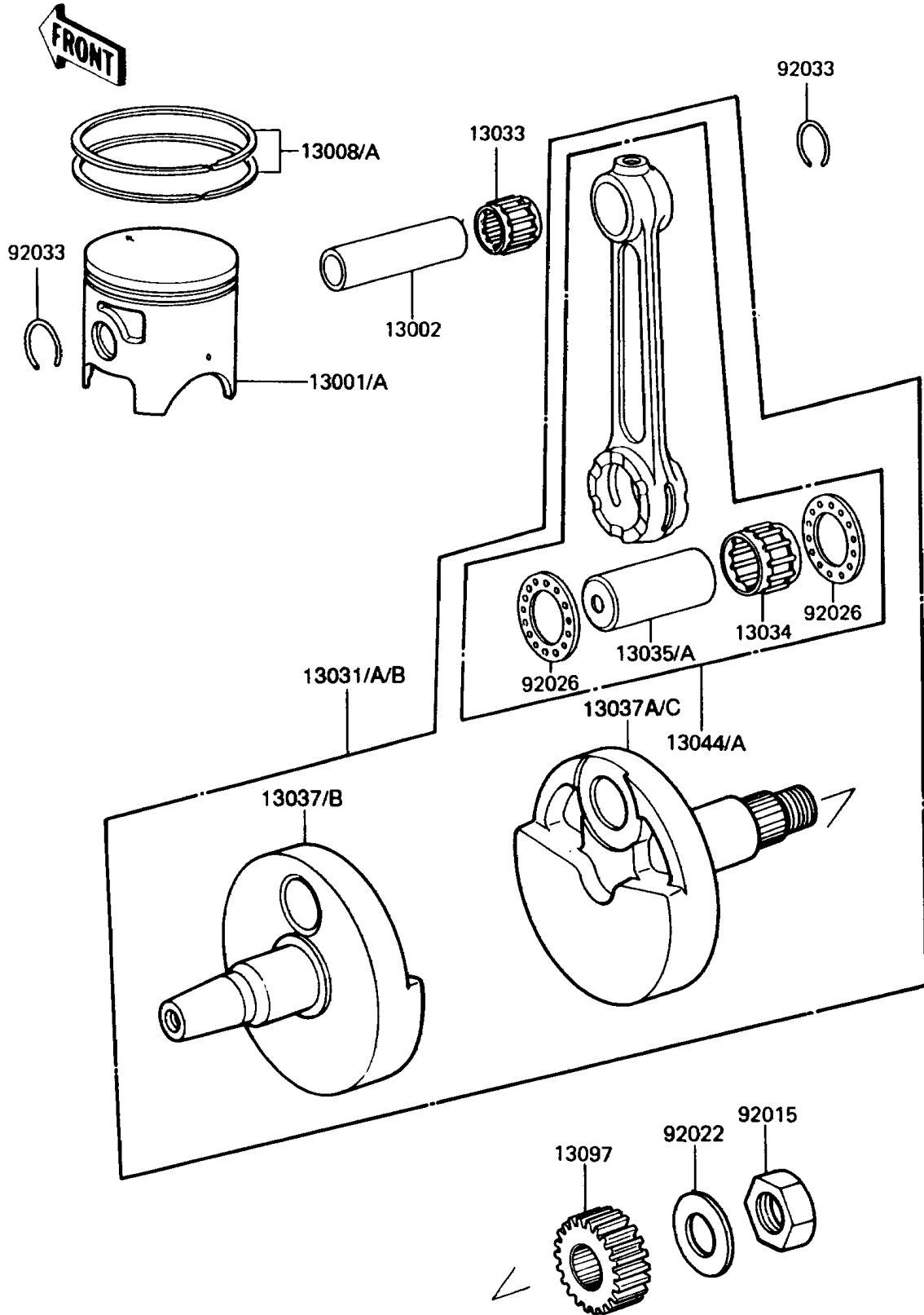


1988 KDX200 PARTS DIAGRAM

Crankshaft/Piston(s)



1988 KDX200 PARTS LIST

Crankshaft/Piston(s)

ITEM NAME	PART NUMBER	QUANTITY
PISTON-ENGINE (Ref # 13001A)	13001-1256	1
PIN-PISTON (Ref # 13002)	13002-1053	1
RING-SET-PISTON (Ref # 13008)	13008-1093	1
CRANKSHAFT-COMP (Ref # 13031B)	13031-1253	1
BEARING-SMALL END,KBK16X21 (Ref # 13033)	13033-1007	1
BEARING-BIG END,H22X29X16.8 (Ref # 13034)	13034-1071	1
PIN-CRANK (Ref # 13035A)	13035-1010	1
CRANKSHAFT,LH (Ref # 13037B)	13037-1315	1
CRANKSHAFT,RH (Ref # 13037C)	13037-1316	1
SET-CONNECTING ROD (Ref # 13044A)	13044-5062	1
GEAR-PRIMARY SPUR,22T (Ref # 13097)	13097-1157	1
NUT,16MM (Ref # 92015)	92015-1176	1
WASHER,16.3X29X1.75 (Ref # 92022)	92022-1356	1
SPACER,22.5X37X1.0 (Ref # 92026)	92026-011	2
RING-SNAP,PISTON PIN (Ref # 92033)	92033-1161	2