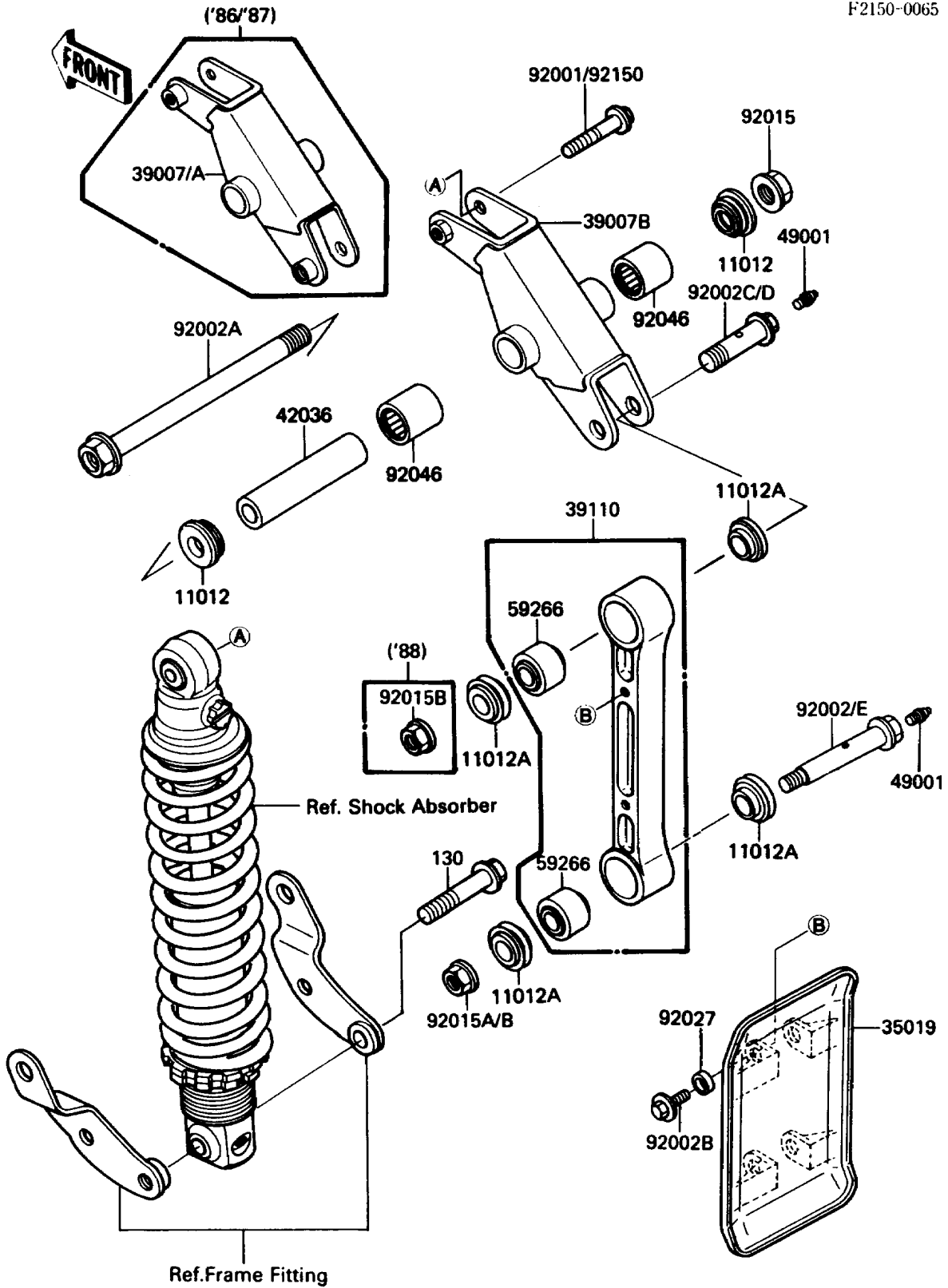


1988 KDX200 PARTS DIAGRAM

Rear Suspension

F2150-0065



1988 KDX200 PARTS LIST

Rear Suspension

ITEM NAME	PART NUMBER	QUANTITY
CAP (Ref # 11012)	11012-1207	2
CAP,ROD (Ref # 11012A)	11012-1418	4
FLAP,ROD (Ref # 35019)	35019-1163	1
ARM-SUSP,UNI TRAK (Ref # 39007B)	39007-1147	1
ROD-ASSY-TIE,SUSPENSION (Ref # 39110)	39110-1069	1
SLEEVE,SUSPENSION ARM (Ref # 42036)	42036-1119	1
NIPPLE-GREASE (Ref # 49001)	49001-1051	2
JOINT-BALL,ROD (Ref # 59266)	59266-1056	2
BOLT,14X132 (Ref # 92002A)	92002-1415	1
BOLT,6X14 (Ref # 92002B)	92002-1460	4
BOLT,ROD,12X53 (Ref # 92002D)	92002-1923	1
BOLT,ROD,12X68 (Ref # 92002E)	92002-1924	1
NUT,FLANGED,14MM (Ref # 92015)	92015-1032	1
NUT,FLANGED,12MM (Ref # 92015B)	92015-1433	2
COLLAR,6.5X10.5X4.5 (Ref # 92027)	92027-1885	4
BEARING-NEEDLE,TA2030Z (Ref # 92046)	92046-1128	2
BOLT,FLANGED,10X50 (Ref # 92150)	92150-1125	1
BOLT-FLANGED (Ref # 130)	130P1260	1