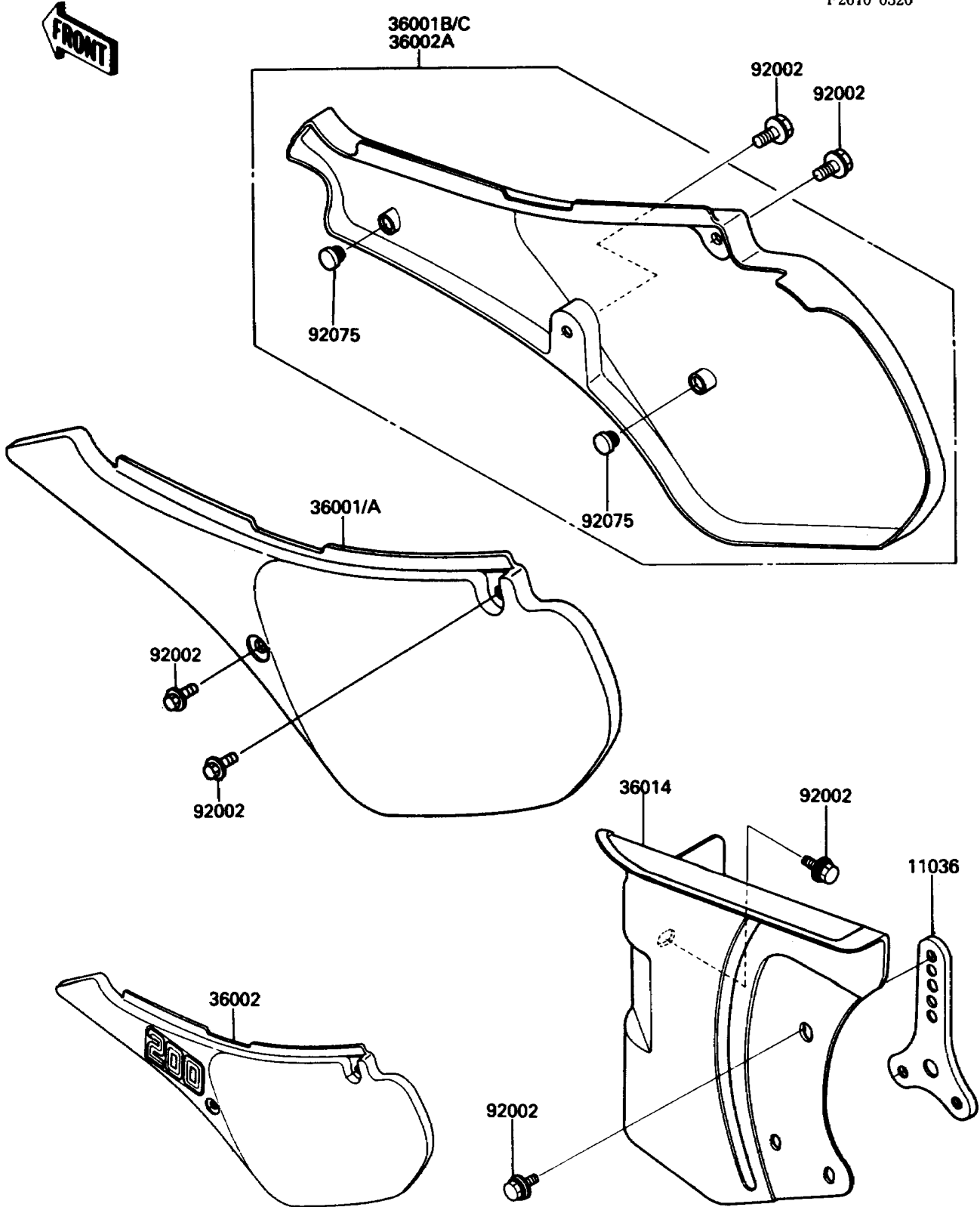


# 1986 KDX200 PARTS DIAGRAM

Side Covers/Chain Cover

F2610-0320



# 1986 KDX200 PARTS LIST

## Side Covers/Chain Cover

ITEM NAME	PART NUMBER	QUANTITY
BRACKET-A,CHAIN CASE (Ref # 11036)	11036-1743	1
COVER-SIDE,LH,L.GREEN/F.WHITE (Ref # 36002)	36002-5213-AC	1
COVER-SIDE,RH,L.GREEN/F.WHITE (Ref # 36002A)	36002-5214-AC	1
CASE-CHAIN (Ref # 36014)	36014-1136	1
BOLT,6X16 (Ref # 92002)	92002-1461	6
DAMPER (Ref # 92075)	92075-1598	2