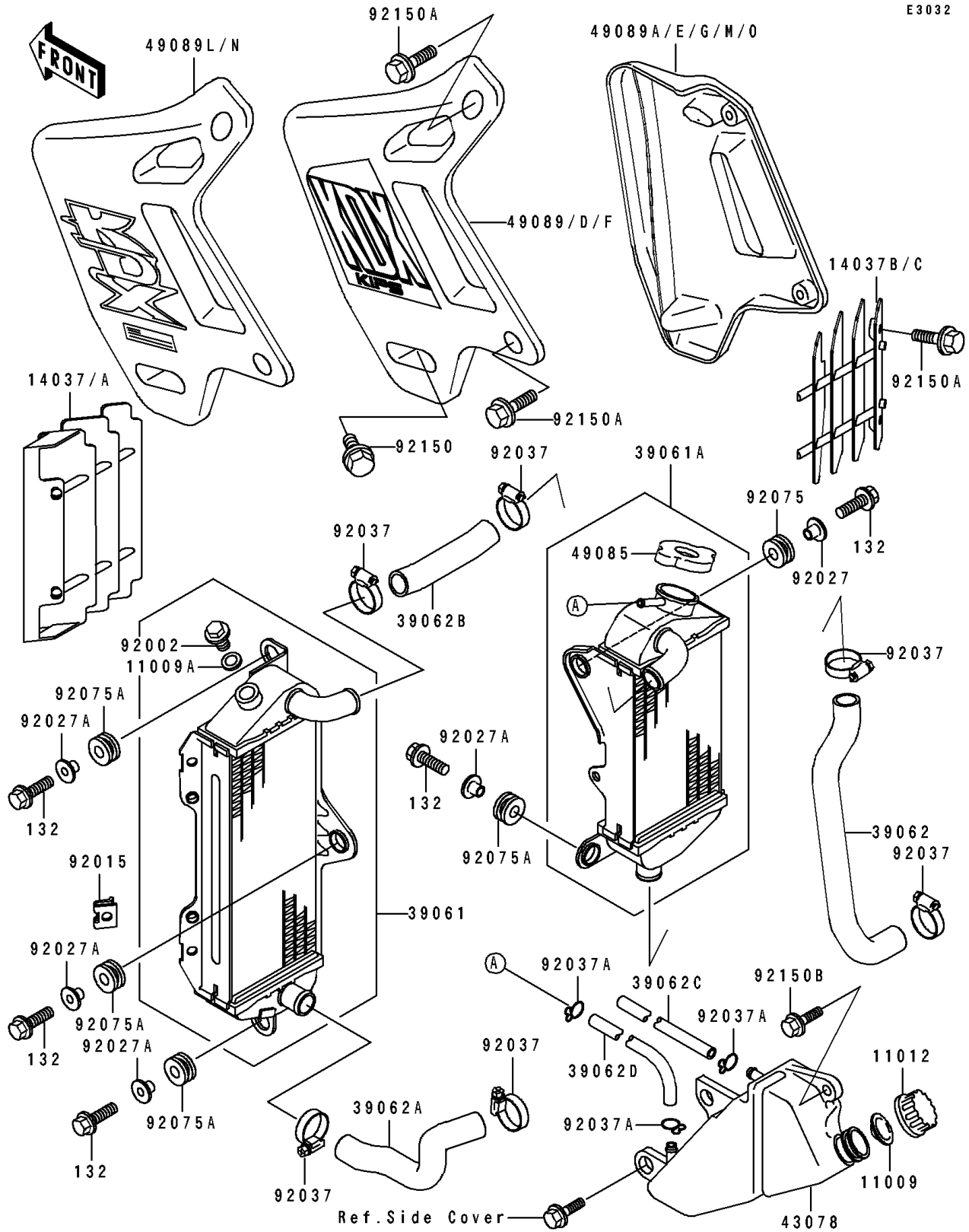


1991 KDX200 PARTS DIAGRAM

Radiator

E3032



1991 KDX200 PARTS LIST

Radiator

ITEM NAME	PART NUMBER	QUANTITY
GASKET,RESERVOIR TANK CAP (Ref # 11009)	11009-1145	1
GASKET,DRAIN BOLT (Ref # 11009A)	11009-1152	1
CAP (Ref # 11012)	11012-1084	1
SCREEN,LH,P.WHITE (Ref # 14037)	14037-1099-6F	1
SCREEN,L.GREEN (Ref # 14037A)	14037-1099-6W	1
SCREEN,RH,P.WHITE (Ref # 14037B)	14037-1121-6F	1
SCREEN,RH,L.GREEN (Ref # 14037C)	14037-1121-6W	1
RADIATOR-ASSY,LH (Ref # 39061)	39061-1127	1
RADIATOR-ASSY (Ref # 39061A)	39061-1131	1
HOSE-COOLING,RADIATOR-PUMP (Ref # 39062)	39062-1300	1
HOSE-COOLING,HEAD-RADIATOR (Ref # 39062A)	39062-1301	1
HOSE-COOLING,RADIATOR,LH-RH (Ref # 39062B)	39062-1302	1
HOSE-COOLING,5X9X420 (Ref # 39062C)	39062-1315	1
HOSE-COOLING,5X9X1050 (Ref # 39062D)	39062-1334	1
RESERVOIR (Ref # 43078)	43078-1095	1
CAP-ASSY-PRESSURE (Ref # 49085)	49085-1003	1
SHROUD-ENGINE,LH,L.GREEN (Ref # 49089L)	49089-5111-6W	1
SHROUD-ENGINE,RH,L.GREEN (Ref # 49089M)	49089-5112-6W	1
SHROUD-ENGINE,LH,P.WHITE (Ref # 49089N)	49089-5127-6F	1
SHROUD-ENGINE,RH,P.WHITE (Ref # 49089O)	49089-5128-6F	1
BOLT,RADIATOR DRAIN (Ref # 92002)	92002-1682	1
NUT (Ref # 92015)	92015-1487	1
COLLAR,L=9.6 (Ref # 92027)	92027-1045	1
COLLAR,L=11.1 (Ref # 92027A)	92027-194	4
CLAMP,COOLING HOSE (Ref # 92037)	92037-1589	6
CLAMP (Ref # 92037A)	92037-1712	3
DAMPER (Ref # 92075)	92075-1185	1
DAMPER (Ref # 92075A)	92075-209	4
BOLT,6X14 (Ref # 92150)	92150-1392	2

1991 KDX200 PARTS LIST

Radiator

ITEM NAME	PART NUMBER	QUANTITY
BOLT,6X12 (Ref # 92150A)	92150-1435	5
BOLT,FLANGED,6X14 (Ref # 92150B)	92150-1504	2
BOLT-FLANGED-SMALL (Ref # 132)	132G0620	5