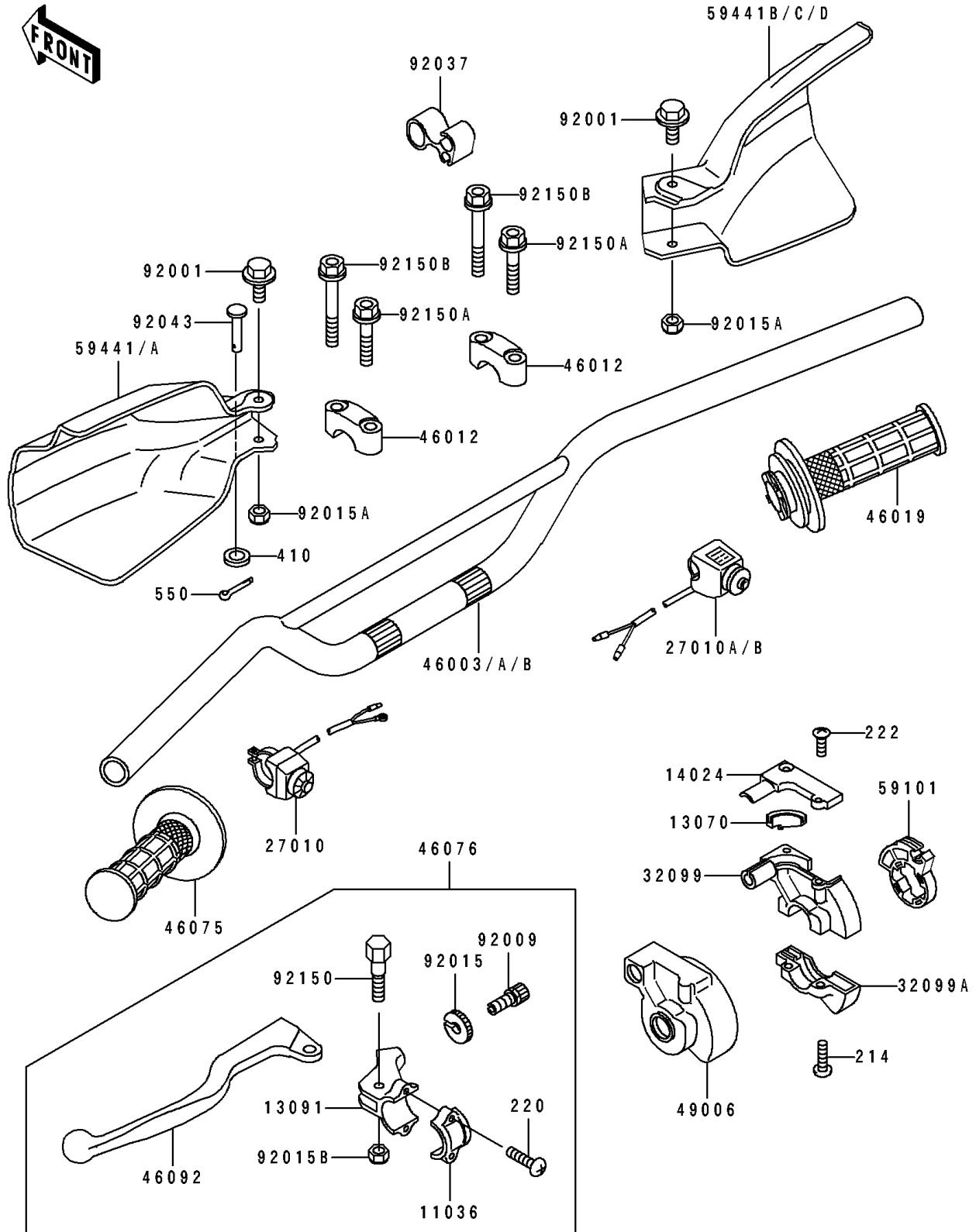


# 1989 KDX200 PARTS DIAGRAM

Handlebar

F2310



# 1989 KDX200 PARTS LIST

## Handlebar

ITEM NAME	PART NUMBER	QUANTITY
BRACKET-A,LEVER HOLDER (Ref # 11036)	11036-1297	1
GUIDE,THROTTLE PEACE (Ref # 13070)	13070-1073	1
HOLDER,CLUTCH LEVER (Ref # 13091)	13091-1131	1
COVER,THROTTLE CASE UPP (Ref # 14024)	14025-1646	1
SWITCH,ENGINE STOP (Ref # 27010)	27010-1161	1
SWITCH,LIGHTING (Ref # 27010A)	27010-1178	1
CASE,THROTTLE UPP (Ref # 32099)	32099-1036	1
CASE,THROTTLE LWR (Ref # 32099A)	32099-1044	1
HANDLE (Ref # 46003)	46003-1305	1
HOLDER-HANDLE (Ref # 46012)	46012-1191	2
GRIP-ASSY,THROTTLE (Ref # 46019)	46019-1054	1
GRIP,LH (Ref # 46075)	46075-1024	1
LEVER-ASSY-GRIP,CLUTCH (Ref # 46076)	46076-1163	1
LEVER-GRIP,CLUTCH (Ref # 46092)	46092-1110	1
BOOT,THROTTLE CASE (Ref # 49006)	49006-1097	1
REEL,THROTTLE (Ref # 59101)	59101-1103	1
COVER-HANDLE,LH,L.GREEN (Ref # 59441A)	59441-1094-6W	1
COVER-HANDLE,RH,L.GREEN (Ref # 59441B)	59441-1095-6W	1
BOLT,FLANGED,6X10 (Ref # 92001)	92001-1034	2
SCREW,CABLE ADJUST,8MM (Ref # 92009)	46055-009	1
NUT,CABLE ADJUST (Ref # 92015)	46056-006	1
NUT,LOCK,6MM (Ref # 92015A)	92015-1603	2
NUT,LOCK,6MM (Ref # 92015B)	92019-008	1
CLAMP,BRAKE HOSE (Ref # 92037)	92037-1629	1
PIN,5X27.5 (Ref # 92043)	92043-1434	1
BOLT (Ref # 92150)	92150-1291	1
BOLT,FLANGED,8X30 (Ref # 92150A)	92150-1455	2
BOLT,FLANGED,8X45 (Ref # 92150B)	92150-1456	2
SCREW-PAN+- (Ref # 214)	214C0518	2

# 1989 KDX200 PARTS LIST

## Handlebar

ITEM NAME	PART NUMBER	QUANTITY
SCREW-PAN-CROS (Ref # 220)	220C0514	2
SCREW-CSK-RD-CROS (Ref # 222)	222E0412	2
WASHER-PLAIN-SMALL,5MM (Ref # 410)	410B0500	1
PIN-COTTER,1.2X10 (Ref # 550)	550D1210	1