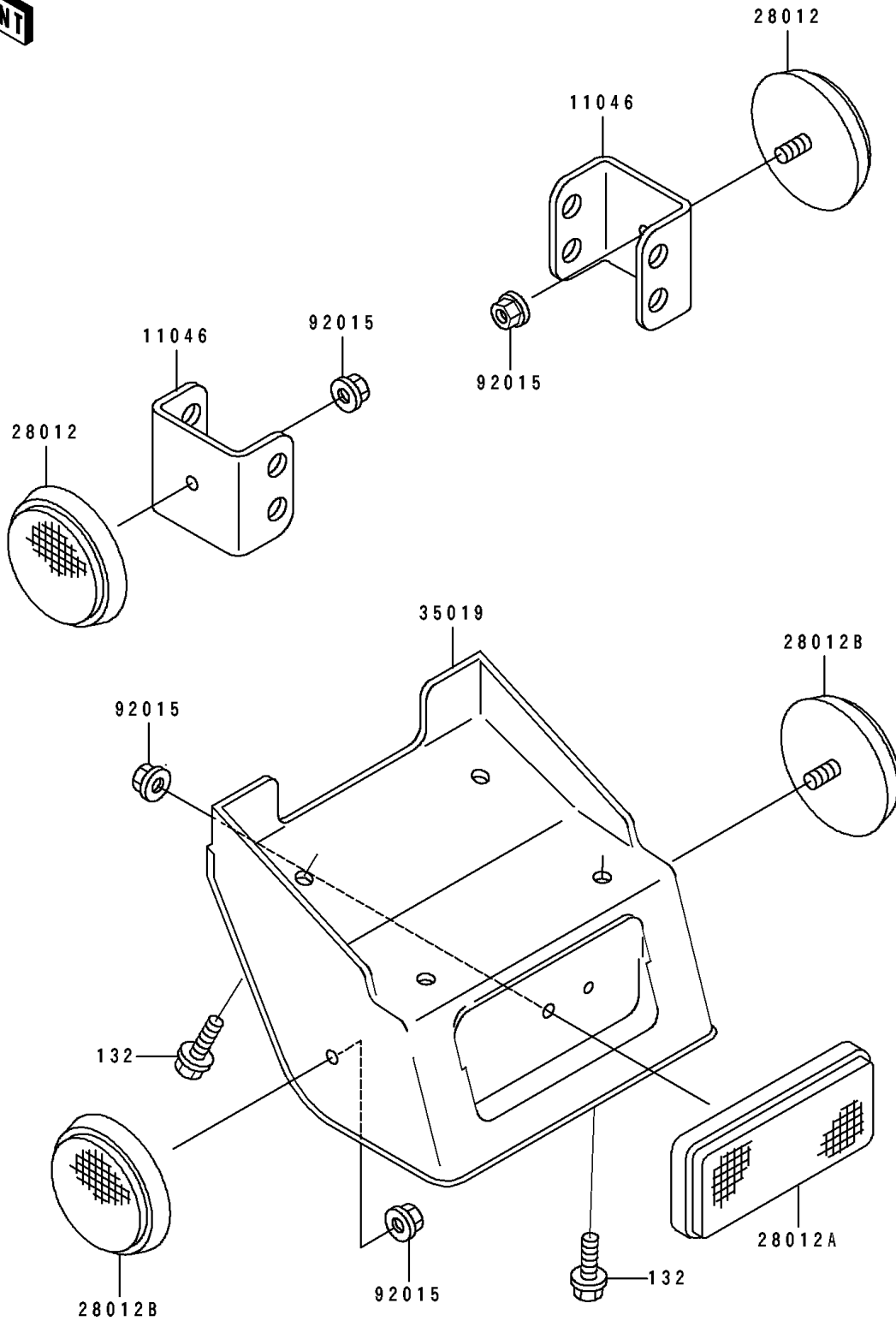


# 1991 KDX200 PARTS DIAGRAM

Reflector

F2790



# 1991 KDX200 PARTS LIST

## Reflector

ITEM NAME	PART NUMBER	QUANTITY
BRACKET,REFLECTOR (Ref # 11046)	11046-1664	2
REFLECTOR-REFLEX,FR (Ref # 28012)	28012-016	2
REFLECTOR-REFLEX (Ref # 28012A)	28012-1057	1
REFLECTOR-REFLEX (Ref # 28012B)	28012-1067	2
FLAP,RR (Ref # 35019)	35019-1245	1
NUT,FLANGED,5MM (Ref # 92015)	92015-1259	5
BOLT-FLANGED-SMALL (Ref # 132)	132G0610	4