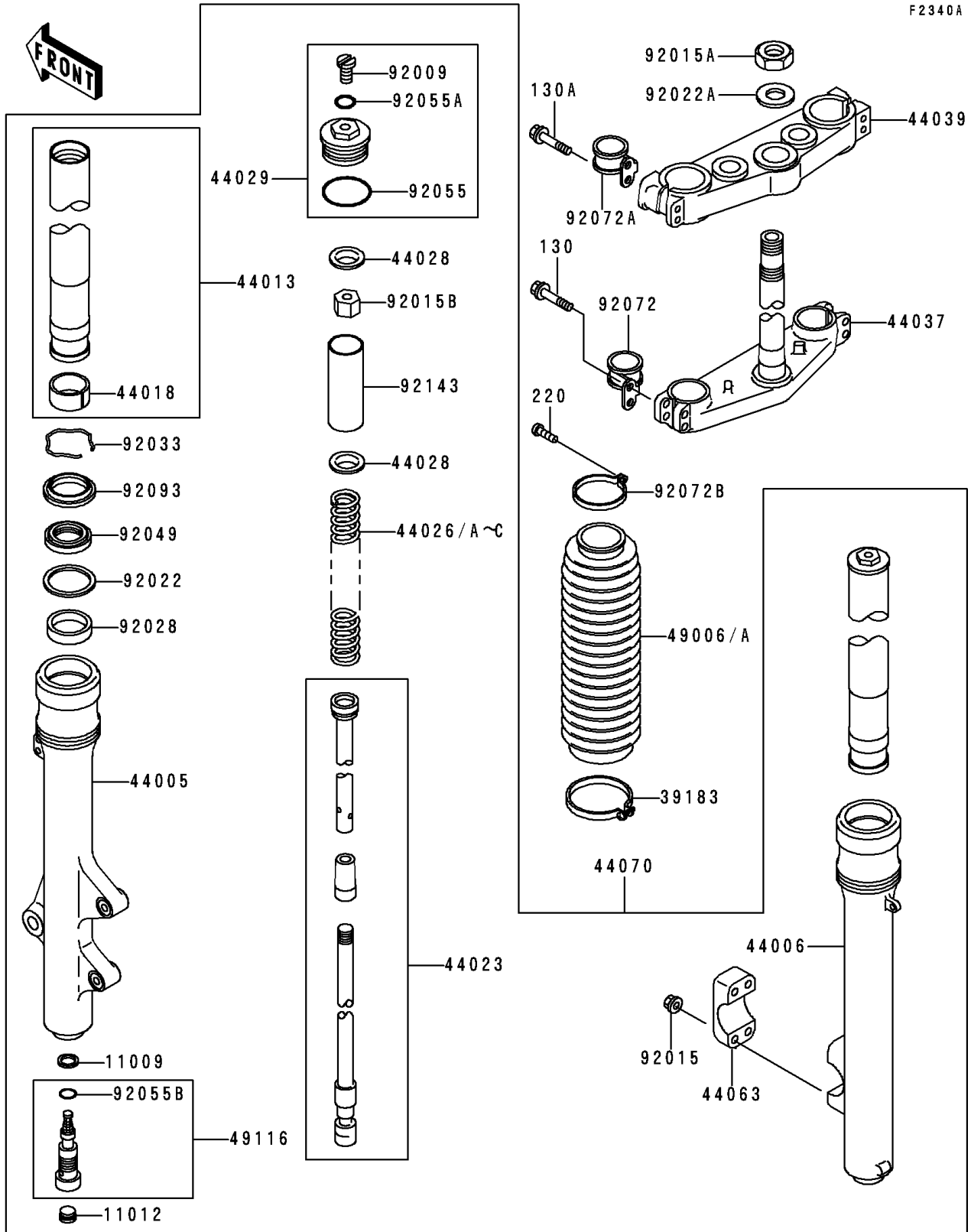


1998 KDX200 PARTS DIAGRAM

Front Fork(KDX200-H4/H5)

F2340A



1998 KDX200 PARTS LIST

Front Fork(KDX200-H4/H5)

ITEM NAME	PART NUMBER	QUANTITY
GASKET,FORK CYLINDER BOLT (Ref # 11009)	11009-1592	2
CAP,FORK CYLINDER (Ref # 11012)	11012-1381	2
BAND-ASSY,BOOT (Ref # 39183)	39183-1060	2
PIPE-LEFT FORK OUTER (Ref # 44005)	44005-1345	1
PIPE-RIGHT FORK OUTER (Ref # 44006)	44006-1343	1
PIPE-FORK INNER (Ref # 44013)	44013-1403	2
PISTON-FORK,INNER PIPE (Ref # 44018)	44018-1056	2
CYLINDER-COMP-FORK (Ref # 44023)	44023-1109	2
SPRING-FRONT FORK,K=0.34 (Ref # 44026)	44026-1574	2
SPRING-FRONT FORK,K=0.36 (Ref # 44026A)	44026-1575	2
SPRING-FRONT FORK,K=0.37 (Ref # 44026B)	44026-1576	2
SPRING-FRONT FORK,K=0.35 (Ref # 44026C)	44026-1638	2
GUIDE-FORK SPRING (Ref # 44028)	44028-1010	4
SEAT-FORK SPRING (Ref # 44029)	44029-1152	2
HOLDER-FORK UNDER (Ref # 44037)	44037-1369	1
HOLDER-FORK UPPER (Ref # 44039)	44039-1256	1
HOLDER-FRONT AXLE (Ref # 44063)	44063-1056	1
DAMPER-ASSY,FORK SET (Ref # 44070)	44070-1576	1
BOOT,FORK,J.S.VIOLET (Ref # 49006A)	49006-1296-VW	2
VALVE-ASSY,FORK (Ref # 49116)	49116-1132	2
SCREW (Ref # 92009)	92009-1568	2
NUT,FLANGED,6MM (Ref # 92015)	92015-1078	4
NUT,STEERING STEM,22MM (Ref # 92015A)	92015-1653	1
NUT (Ref # 92015B)	92015-1839	2
WASHER (Ref # 92022)	92022-1299	2
WASHER,STEERING STEM (Ref # 92022A)	92022-1873	1
BUSHING (Ref # 92028)	92028-1581	2
RING-SNAP (Ref # 92033)	92033-1077	2
SEAL-OIL,FORK OUTER TUBE (Ref # 92049)	92049-1316	2

1998 KDX200 PARTS LIST

Front Fork(KDX200-H4/H5)

ITEM NAME	PART NUMBER	QUANTITY
RING-O (Ref # 92055)	92055-1123	2
RING-O (Ref # 92055A)	92055-1441	2
RING-O,FORK VALVE (Ref # 92055B)	92055-1502	2
BAND,CABLE (Ref # 92072)	92072-1166	1
BAND (Ref # 92072A)	92072-1268	1
BAND,BOOT (Ref # 92072B)	92072-1316	2
SEAL,FORK DUST (Ref # 92093)	92093-1260	2
BOLT-FLANGED,8X45 (Ref # 130)	130G0845	4
BOLT-FLANGED,8X50 (Ref # 130A)	130G0850	4
SCREW-PAN-CROS (Ref # 220)	220B0416	2
COLLAR,FORK,L=90 (Ref # 92143)	92143-1645	2