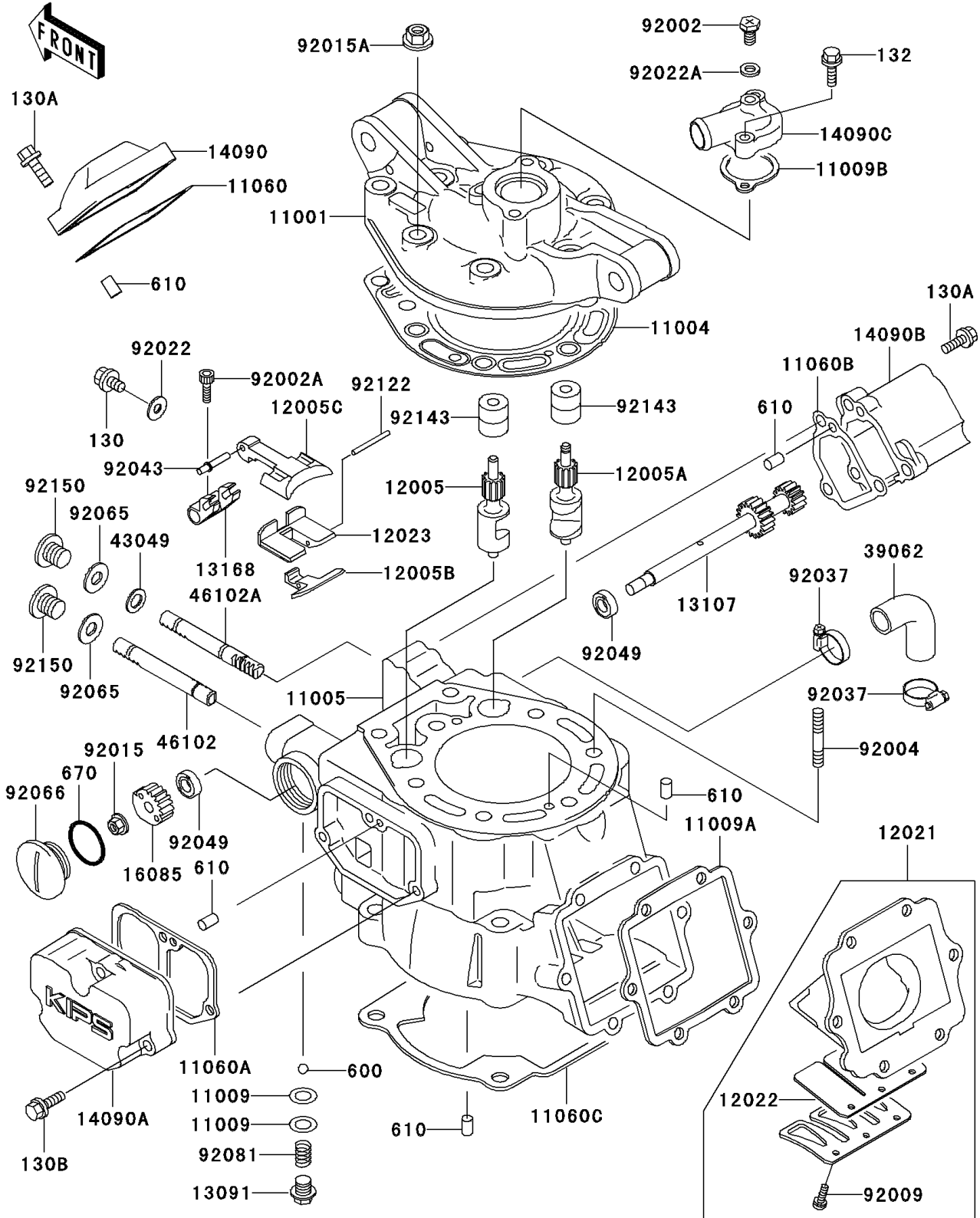


2004 KDX200 PARTS DIAGRAM

Cylinder Head/Cylinder

E1110



2004 KDX200 PARTS LIST

Cylinder Head/Cylinder

ITEM NAME	PART NUMBER	QUANTITY
HEAD-CYLINDER (Ref # 11001)	11001-1409	1
GASKET-HEAD (Ref # 11004)	11004-1298	1
CYLINDER-ENGINE (Ref # 11005)	11005-1742	1
GASKET,8.2X14X1.0 (Ref # 11009)	11009-1344	2
GASKET,REED VALVE (Ref # 11009A)	11009-1941	1
GASKET,ELBOW (Ref # 11009B)	11009-1993	1
GASKET,CENTER VALVE COVER (Ref # 11060)	11060-1627	1
GASKET,RESONATOR COVER (Ref # 11060A)	11060-1628	1
GASKET,RH,COVER (Ref # 11060B)	11060-1629	1
GASKET,CYLINDER BASE (Ref # 11060C)	11060-1659	1
VALVE-EXHAUST,LH (Ref # 12005)	12005-1199	1
VALVE-EXHAUST,RH (Ref # 12005A)	12005-1200	1
VALVE-EXHAUST,MAIN (Ref # 12005B)	12005-1272	1
VALVE-EXHAUST,MAIN (Ref # 12005C)	12005-1274	1
VALVE-ASSY-REED (Ref # 12021)	12021-1067	1
VALVE-REED (Ref # 12022)	12022-1063	2
HOLDER-VALVE,MAIN (Ref # 12023)	12023-1085	1
HOLDER (Ref # 13091)	13091-1889	1
SHAFT,CENTER (Ref # 13107)	13107-1324	1
LEVER,MAIN VALVE (Ref # 13168)	13168-1499	1
COVER,CENTER VALVE (Ref # 14090)	14090-1441	1
COVER,LH RESONATOR (Ref # 14090A)	14090-1442	1
COVER,RH (Ref # 14090B)	14090-1443	1
COVER,THERMOSTAT (Ref # 14090C)	14090-1534	1
GEAR,LH VALVE ROD (Ref # 16085)	16085-1274	1
HOSE-COOLING,PUMP-CYLINDER (Ref # 39062)	39062-1419	1
PACKING (Ref # 43049)	43049-1076	1
ROD,LH (Ref # 46102)	46102-1383	1
ROD,RH (Ref # 46102A)	46102-1384	1

2004 KDX200 PARTS LIST

Cylinder Head/Cylinder

ITEM NAME	PART NUMBER	QUANTITY
BOLT,6X10 (Ref # 92002)	92002-1222	1
BOLT,SOCKET,4X8 (Ref # 92002A)	92002-1403	1
STUD,8X32 (Ref # 92004)	92004-1197	8
SCREW,REED VALVE (Ref # 92009)	92009-1014	6
NUT,6MM (Ref # 92015)	92015-1386	1
NUT,FLANGED,8MM (Ref # 92015A)	92015-1406	12
WASHER,5.2X13X1 (Ref # 92022)	92022-1380	2
WASHER,6.2X11X1 (Ref # 92022A)	92022-304	1
CLAMP,COOLING HOSE (Ref # 92037)	92037-1589	2
PIN,MAIN VALVE (Ref # 92043)	92043-1470	1
SEAL-OIL,SD088144 (Ref # 92049)	92049-1238	2
BOLT-FLANGED (Ref # 130)	130Y0508	2
BOLT-FLANGED (Ref # 130A)	130Y0520	6
BOLT-FLANGED (Ref # 130B)	130Y0525	3
BOLT-FLANGED-SMALL (Ref # 132)	132Y0625	2
BALL-STEEL,3/16" (Ref # 600)	600A0600	1
ROLLER,4X8 (Ref # 610)	610A0408	7
O RING,22MM (Ref # 670)	670B2022	1
GASKET,10.5X16X1 (Ref # 92065)	92065-058	2
PLUG (Ref # 92066)	92066-1414	1
SPRING (Ref # 92081)	92081-1527	1
ROLLER,3X31.8 (Ref # 92122)	92122-1187	1
COLLAR,6X15X17.2 (Ref # 92143)	92143-1694	2
BOLT,10X10 (Ref # 92150)	92150-1867	2