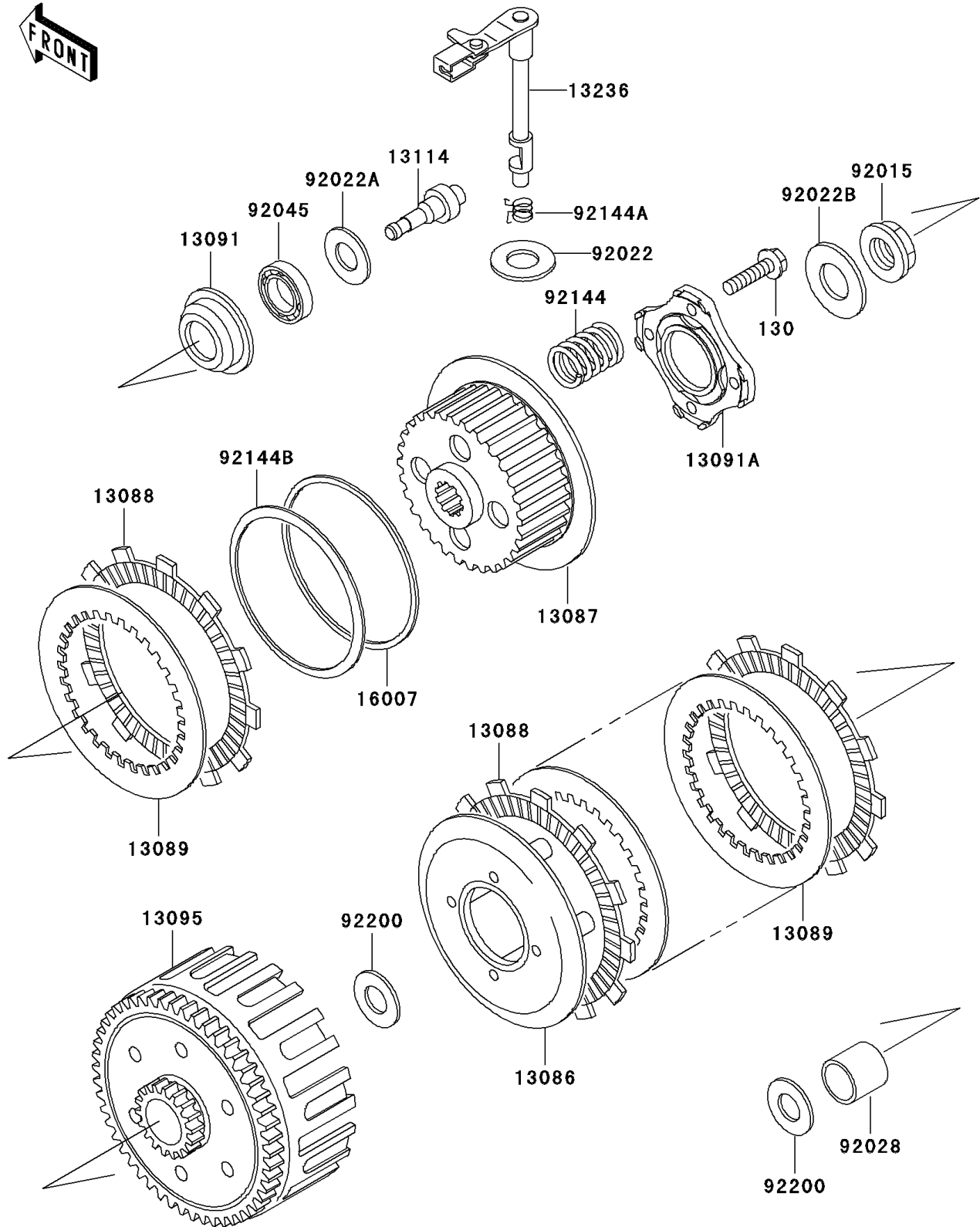


# 2004 KDX200 PARTS DIAGRAM

Clutch

E1350



## 2004 KDX200 PARTS LIST

### Clutch

| ITEM NAME                               | PART NUMBER | QUANTITY |
|---|-------------|----------|
| BOLT-FLANGED (Ref # 130)                | 130Y0625    | 4        |
| WHEEL-CLUTCH (Ref # 13086)              | 13086-1069  | 1        |
| HUB-CLUTCH (Ref # 13087)                | 13087-1158  | 1        |
| PLATE-FRICTION (Ref # 13088)            | 13088-1085  | 8        |
| PLATE-CLUTCH (Ref # 13089)              | 13089-1076  | 7        |
| HOLDER,CLUTCH PUSHER (Ref # 13091)      | 13091-1712  | 1        |
| HOLDER,CLUTCH SPRING (Ref # 13091A)     | 13091-1872  | 1        |
| HOUSING-COMP-CLUTCH (Ref # 13095)       | 13095-1287  | 1        |
| PUSHER-CLUTCH (Ref # 13114)             | 13114-1067  | 1        |
| LEVER-COMP,CLUTCH RELEASE (Ref # 13236) | 13236-1264  | 1        |
| SEAT-SPRING (Ref # 16007)               | 16007-1162  | 1        |
| NUT,16MM (Ref # 92015)                  | 92015-1581  | 1        |
| WASHER,12.5X21X1.2 (Ref # 92022)        | 92022-072   | 1        |
| WASHER,10.2X14.5X1.0 (Ref # 92022A)     | 92022-1181  | AR       |
| WASHER,16.3X29X1.75 (Ref # 92022B)      | 92022-1356  | 1        |
| BUSHING,20X25X26.85 (Ref # 92028)       | 92028-1388  | 1        |
| BEARING-BALL,6000 (Ref # 92045)         | 92045-1225  | 1        |
| SPRING,CLUTCH (Ref # 92144)             | 92144-1160  | 4        |
| SPRING,CLUTCH RELEASE (Ref # 92144A)    | 92144-1287  | 1        |
| SPRING (Ref # 92144B)                   | 92144-1522  | 1        |
| WASHER,20.3X30X2.3 (Ref # 92200)        | 92200-1238  | 2        |