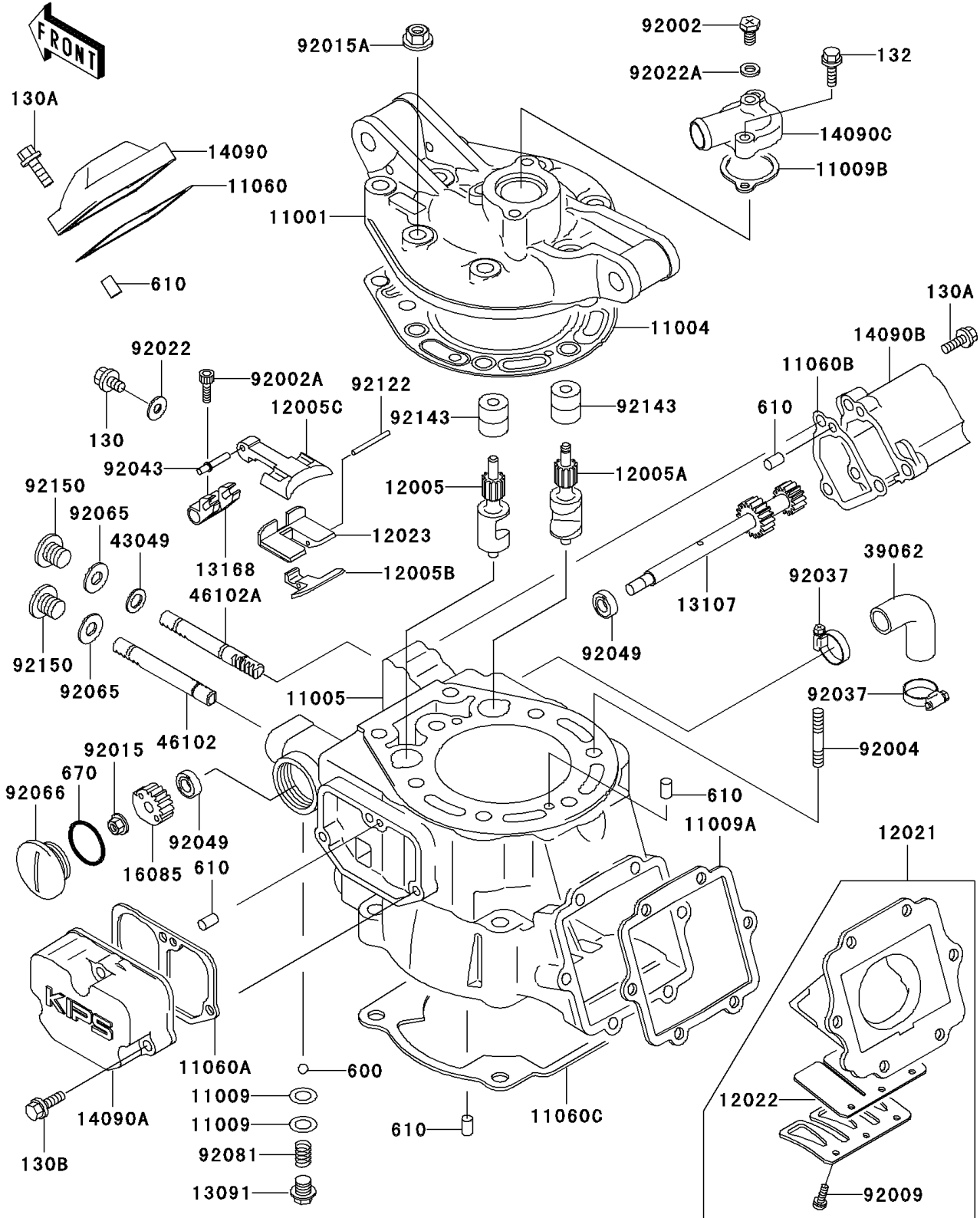


2001 KDX200 PARTS DIAGRAM

Cylinder Head/Cylinder

E1110



2001 KDX200 PARTS LIST

Cylinder Head/Cylinder

| ITEM NAME | PART NUMBER | QUANTITY |
|------------------------------------------|-------------|----------|
| HEAD-CYLINDER (Ref # 11001) | 11001-1409 | 1 |
| GASKET-HEAD (Ref # 11004) | 11004-1298 | 1 |
| CYLINDER-ENGINE (Ref # 11005) | 11005-1742 | 1 |
| GASKET,OIL PIPE,8.2X14X1.0 (Ref # 11009) | 11009-1344 | 2 |
| GASKET,REED VALVE (Ref # 11009A) | 11009-1941 | 1 |
| GASKET,ELBOW (Ref # 11009B) | 11009-1993 | 1 |
| GASKET,CENTER VALVE COVER (Ref # 11060) | 11060-1627 | 1 |
| GASKET,RESONATOR COVER (Ref # 11060A) | 11060-1628 | 1 |
| GASKET,RH,COVER (Ref # 11060B) | 11060-1629 | 1 |
| GASKET,CYLINDER BASE (Ref # 11060C) | 11060-1659 | 1 |
| VALVE-EXHAUST,LH (Ref # 12005) | 12005-1199 | 1 |
| VALVE-EXHAUST,RH (Ref # 12005A) | 12005-1200 | 1 |
| VALVE-EXHAUST,MAIN (Ref # 12005B) | 12005-1272 | 1 |
| VALVE-EXHAUST,MAIN (Ref # 12005C) | 12005-1274 | 1 |
| VALVE-ASSY-REED (Ref # 12021) | 12021-1067 | 1 |
| VALVE-REED (Ref # 12022) | 12022-1063 | 2 |
| HOLDER-VALVE,MAIN (Ref # 12023) | 12023-1085 | 1 |
| HOLDER (Ref # 13091) | 13091-1889 | 1 |
| SHAFT,CENTER (Ref # 13107) | 13107-1324 | 1 |
| LEVER,MAIN VALVE (Ref # 13168) | 13168-1499 | 1 |
| COVER,CENTER VALVE (Ref # 14090) | 14090-1441 | 1 |
| COVER,LH RESONATOR (Ref # 14090A) | 14090-1442 | 1 |
| COVER,RH (Ref # 14090B) | 14090-1443 | 1 |
| COVER,THERMOSTAT (Ref # 14090C) | 14090-1534 | 1 |
| GEAR,LH VALVE ROD (Ref # 16085) | 16085-1274 | 1 |
| HOSE-COOLING,PUMP-CYLINDER (Ref # 39062) | 39062-1419 | 1 |
| PACKING (Ref # 43049) | 43049-1076 | 1 |
| ROD,LH (Ref # 46102) | 46102-1383 | 1 |
| ROD,RH (Ref # 46102A) | 46102-1384 | 1 |

2001 KDX200 PARTS LIST

Cylinder Head/Cylinder

| ITEM NAME | PART NUMBER | QUANTITY |
|-----------------------------------|-------------|----------|
| BOLT,6X10 (Ref # 92002) | 92002-1222 | 1 |
| BOLT,SOCKET,4X8 (Ref # 92002A) | 92002-1403 | 1 |
| STUD,8X32 (Ref # 92004) | 92004-1197 | 8 |
| SCREW,REED VALVE (Ref # 92009) | 92009-1014 | 6 |
| NUT,FLANGED,6MM (Ref # 92015) | 92015-1386 | 1 |
| NUT,FLANGED,8MM (Ref # 92015A) | 92015-1406 | 12 |
| WASHER,5.2X13X1 (Ref # 92022) | 92022-1380 | 2 |
| WASHER,6.2X11X1 (Ref # 92022A) | 92022-304 | 1 |
| CLAMP,COOLING HOSE (Ref # 92037) | 92037-1589 | 2 |
| PIN,MAIN VALVE (Ref # 92043) | 92043-1470 | 1 |
| SEAL-OIL,SD088144 (Ref # 92049) | 92049-1238 | 2 |
| BOLT-FLANGED (Ref # 130) | 130Y0508 | 2 |
| BOLT-FLANGED (Ref # 130A) | 130Y0520 | 6 |
| BOLT-FLANGED (Ref # 130B) | 130Y0525 | 3 |
| BOLT-FLANGED-SMALL (Ref # 132) | 132Y0625 | 2 |
| BALL-STEEL,3/16" (Ref # 600) | 600A0600 | 1 |
| ROLLER,4X8 (Ref # 610) | 610A0408 | 7 |
| O RING,22MM (Ref # 670) | 670B2022 | 1 |
| GASKET,10.5X16X1 (Ref # 92065) | 92065-058 | 2 |
| PLUG (Ref # 92066) | 92066-1414 | 1 |
| SPRING,CLUTCH PLATE (Ref # 92081) | 92081-1527 | 1 |
| ROLLER,3X31.8 (Ref # 92122) | 92122-1187 | 1 |
| COLLAR,6X15X17.2 (Ref # 92143) | 92143-1694 | 2 |
| BOLT,10X10 (Ref # 92150) | 92150-1867 | 2 |