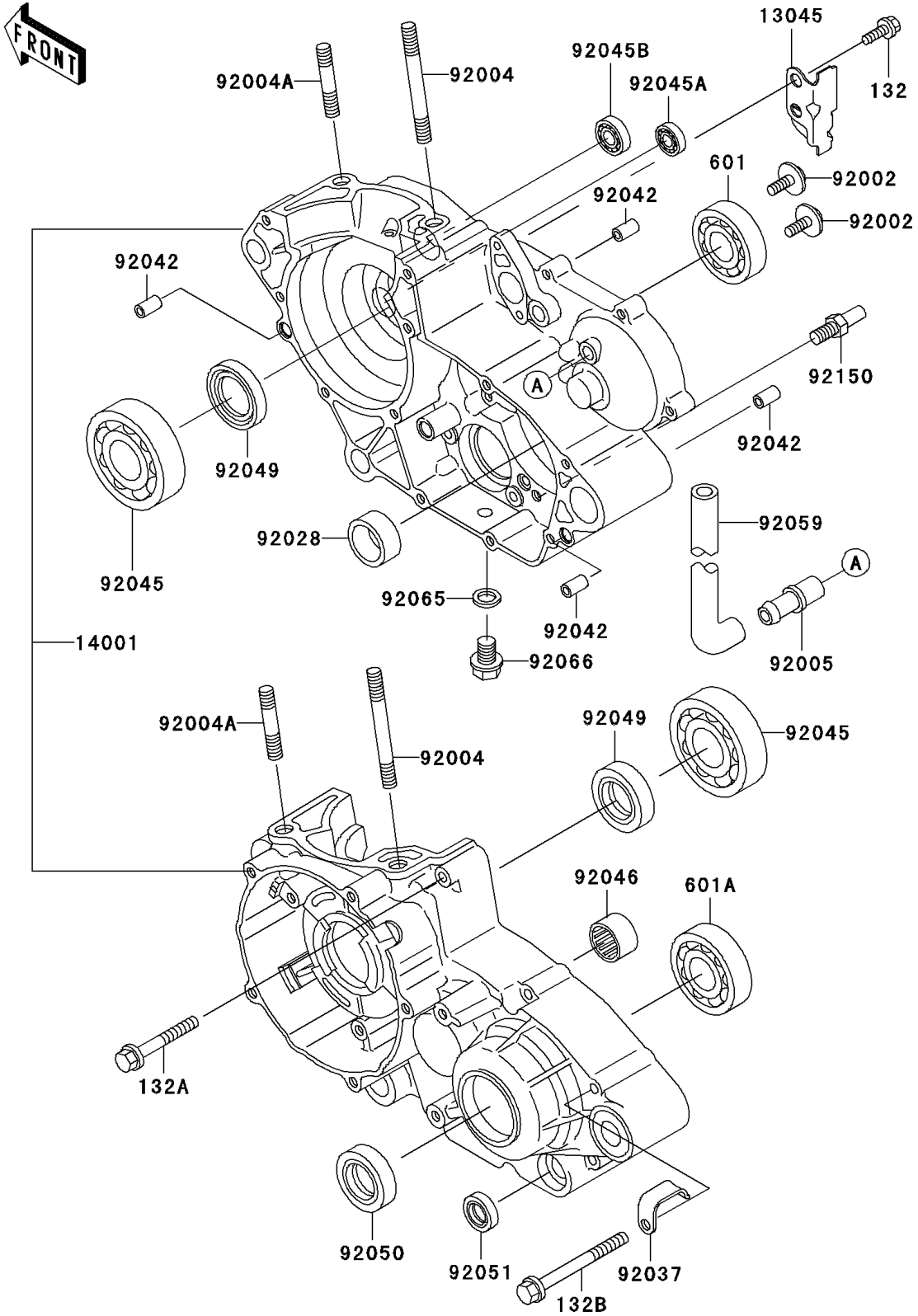


2002 KDX200 PARTS DIAGRAM

Crankcase

E1411



2002 KDX200 PARTS LIST

Crankcase

| ITEM NAME | PART NUMBER | QUANTITY |
|--|-------------|----------|
| BOLT-FLANGED-SMALL (Ref # 132) | 132Y0614 | 2 |
| BOLT-FLANGED-SMALL (Ref # 132A) | 132Y0640 | 10 |
| BOLT-FLANGED-SMALL (Ref # 132B) | 132Y0660 | 1 |
| BEARING-BALL,#6204C3 (Ref # 601) | 601B6204 | 1 |
| BEARING-BALL,#6205C3 (Ref # 601A) | 601B6205 | 1 |
| RECEIVER-OIL (Ref # 13045) | 13045-1056 | 1 |
| SET-CRANKCASE (Ref # 14001) | 14001-1212 | 1 |
| BOLT,6X16 (Ref # 92002) | 92002-1659 | 2 |
| STUD,8X60 (Ref # 92004) | 92004-1132 | 2 |
| STUD,8X28.5 (Ref # 92004A) | 92004-1142 | 2 |
| FITTING,BREATHER (Ref # 92005) | 92005-1210 | 1 |
| BUSHING,23X30X13 (Ref # 92028) | 92028-132 | 1 |
| CLAMP,HARNESS (Ref # 92037) | 92037-1318 | 1 |
| PIN,DOWEL,6.3X8X14 (Ref # 92042) | 92042-007 | 4 |
| BEARING-BALL,6305JR2C3 (Ref # 92045) | 92045-1120 | 2 |
| BEARING-BALL,626MC3 (Ref # 92045A) | 92045-1304 | 1 |
| BEARING-BALL,608MC3 (Ref # 92045B) | 92045-1305 | 1 |
| BEARING-NEEDLE,#7E-HKS162412-1 (Ref # 92046) | 92046-026 | 1 |
| SEAL-OIL,TBY25X40X6 (Ref # 92049) | 92049-1365 | 2 |
| SEAL-OIL,TB3040 (Ref # 92050) | 92050-033 | 1 |
| SEAL-OIL,TB13225.5 (Ref # 92051) | 92051-005 | 1 |
| TUBE,5X9X400,BLUE (Ref # 92059) | 92059-1805 | 1 |
| GASKET,10.5X16X1 (Ref # 92065) | 92065-058 | 1 |
| PLUG,10MM (Ref # 92066) | 92066-1334 | 1 |
| BOLT,RETURN SPRING (Ref # 92150) | 92150-1467 | 1 |