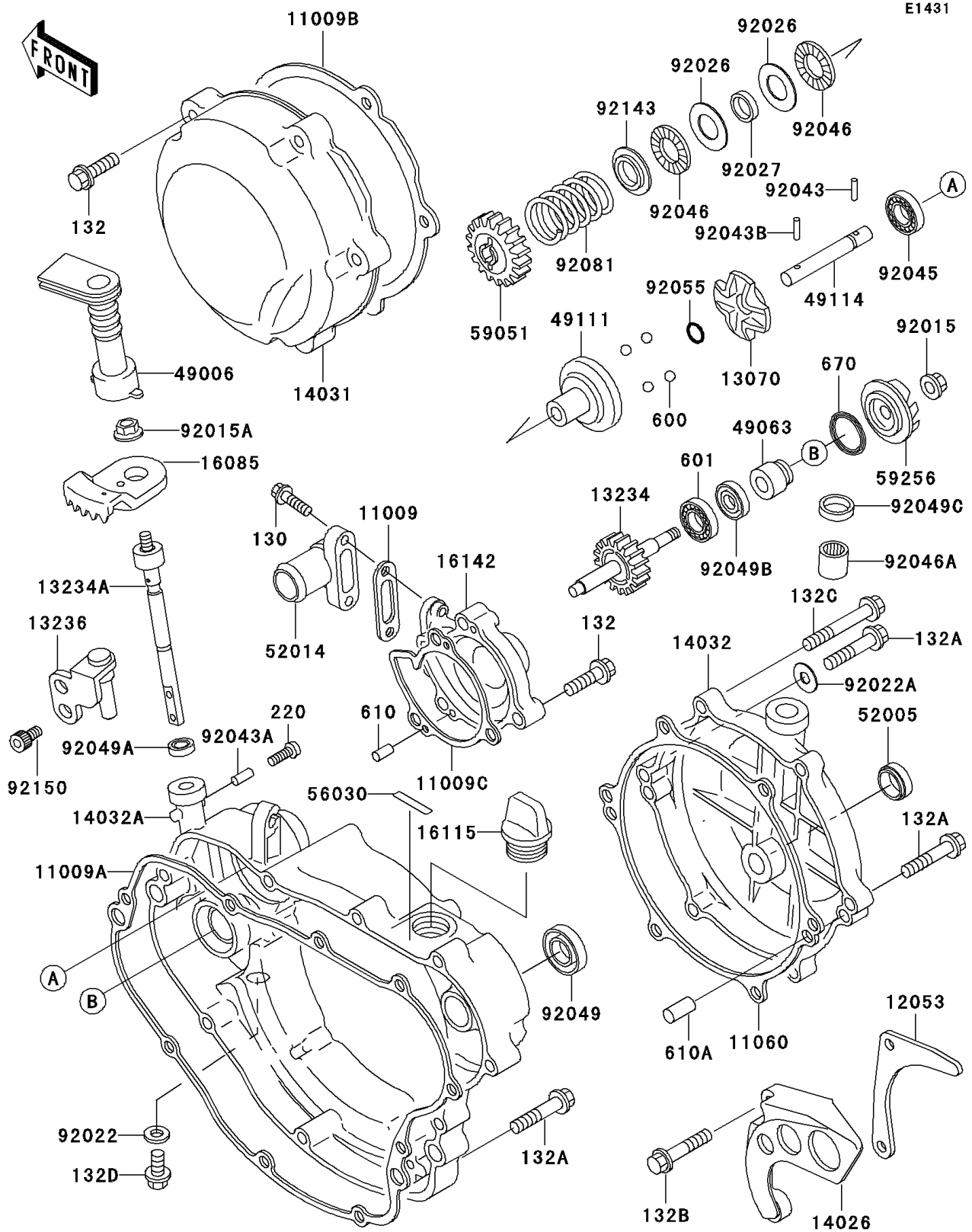


2001 KDX200 PARTS DIAGRAM

Engine Cover(s)



2001 KDX200 PARTS LIST

Engine Cover(s)

| ITEM NAME | PART NUMBER | QUANTITY |
|--|-------------|----------|
| GASKET,ELBOW (Ref # 11009) | 11009-1952 | 1 |
| GASKET,CLUTCH COVER (Ref # 11009A) | 11009-1996 | 1 |
| GASKET,GENERATOR COVER (Ref # 11009B) | 11009-1997 | 1 |
| GASKET,WATER PUMP COVER (Ref # 11009C) | 11009-1998 | 1 |
| GASKET,CLUTCH COVER (Ref # 11060) | 11060-1630 | 1 |
| GUIDE-CHAIN (Ref # 12053) | 12053-1228 | 1 |
| GUIDE (Ref # 13070) | 13070-1122 | 1 |
| SHAFT-COMP,PUMP (Ref # 13234) | 13234-1091 | 1 |
| SHAFT-COMP,GOVERNOR (Ref # 13234A) | 13234-1101 | 1 |
| LEVER-COMP,GOVERNOR (Ref # 13236) | 13236-1260 | 1 |
| COVER-CHAIN (Ref # 14026) | 14026-1159 | 1 |
| COVER-GENERATOR (Ref # 14031) | 14031-1231 | 1 |
| COVER-CLUTCH,OUT (Ref # 14032) | 14032-1382 | 1 |
| COVER-CLUTCH (Ref # 14032A) | 14032-1418 | 1 |
| GEAR (Ref # 16085) | 16085-1273 | 1 |
| CAP-OIL FILLER (Ref # 16115) | 16115-018 | 1 |
| COVER-PUMP (Ref # 16142) | 16142-1090 | 1 |
| BOOT,GOVERNOR SHAFT (Ref # 49006) | 49006-1291 | 1 |
| SEAL-MECHANICAL,WATER (Ref # 49063) | 49063-1055 | 1 |
| HOLDER-GOVERNOR WEIGHT (Ref # 49111) | 49111-1051 | 1 |
| SHAFT-GOVERNOR (Ref # 49114) | 49114-1058 | 1 |
| GAUGE,OIL LEVEL (Ref # 52005) | 52005-1055 | 1 |
| ELBOW (Ref # 52014) | 52014-1067 | 1 |
| LABEL,CLUTCH COVER,0.70L (Ref # 56030) | 56030-1150 | 1 |
| GEAR-SPUR,GOVERNOR,18T (Ref # 59051) | 59051-1189 | 1 |
| IMPELLER (Ref # 59256) | 59256-1063 | 1 |
| NUT,6MM (Ref # 92015) | 92015-1365 | 1 |
| NUT,6MM (Ref # 92015A) | 92015-1572 | 1 |
| WASHER,8.2X14X1.0 (Ref # 92022) | 92022-1488 | 1 |

2001 KDX200 PARTS LIST

Engine Cover(s)

| ITEM NAME | PART NUMBER | QUANTITY |
|---------------------------------------|-------------|----------|
| WASHER,6.2X11X1 (Ref # 92022A) | 92022-304 | 1 |
| SPACER,15X28X1 (Ref # 92026) | 92026-1238 | 2 |
| COLLAR,15.2X17X4 (Ref # 92027) | 92027-1839 | 1 |
| PIN,3X12.8 (Ref # 92043) | 92043-1256 | 1 |
| PIN,2X9.8 (Ref # 92043A) | 92043-1293 | 1 |
| PIN,3X19.8 (Ref # 92043B) | 92043-1319 | 1 |
| BEARING-BALL,608MC3 (Ref # 92045) | 92045-1305 | 1 |
| BEARING-NEEDLE,AXK1102 (Ref # 92046) | 92046-1052 | 2 |
| BEARING-NEEDLE (Ref # 92046A) | 92046-1230 | 1 |
| SEAL-OIL,SB18307 (Ref # 92049) | 92049-013 | 1 |
| SEAL-OIL,SDO8144 (Ref # 92049A) | 92049-1207 | 1 |
| BOLT-FLANGED (Ref # 130) | 130Z0520 | 2 |
| BOLT-FLANGED-SMALL (Ref # 132) | 132Y0625 | 8 |
| BOLT-FLANGED-SMALL (Ref # 132A) | 132Y0630 | 13 |
| BOLT-FLANGED-SMALL (Ref # 132B) | 132Y0640 | 2 |
| BOLT-FLANGED-SMALL (Ref # 132C) | 132Y0680 | 1 |
| BOLT-FLANGED-SMALL (Ref # 132D) | 132Y0810 | 1 |
| SCREW-PAN-CROS (Ref # 220) | 220B0306 | 1 |
| BALL-STEEL,5/16" (Ref # 600) | 600A1000 | 4 |
| BEARING-BALL,#6201LUC3/2A (Ref # 601) | 601B6201U | 1 |
| ROLLER,4X8 (Ref # 610) | 610A0408 | 2 |
| ROLLER,6X12 (Ref # 610A) | 610A0612 | 2 |
| O RING,6MM (Ref # 670) | 670B1506 | 1 |
| SEAL-OIL,SC12 28.555 (Ref # 92049B) | 92049-1259 | 1 |
| SEAL-OIL (Ref # 92049C) | 92049-1262 | 1 |
| RING-O,5.5X1.5 (Ref # 92055) | 92055-1343 | 1 |
| SPRING,GOVERNOR (Ref # 92081) | 92081-1769 | 1 |
| COLLAR (Ref # 92143) | 92143-1001 | 1 |
| BOLT,SOCKET,4X8 (Ref # 92150) | 92150-1888 | 2 |