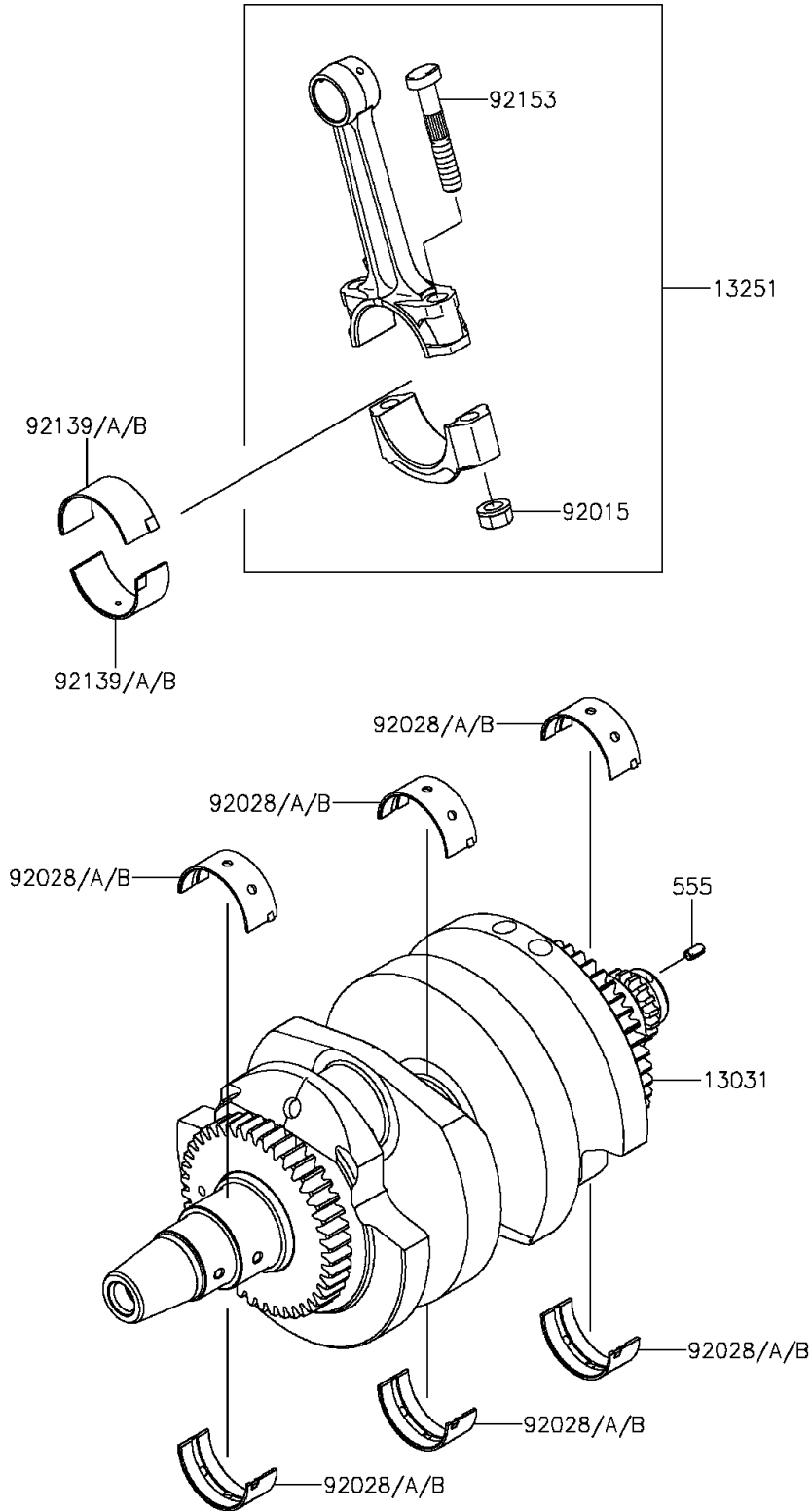


2015 VULCAN® S ABS PARTS DIAGRAM

Crankshaft

E1321



2015 VULCAN® S ABS PARTS LIST

Crankshaft

ITEM NAME	PART NUMBER	QUANTITY
-----------	-------------	----------