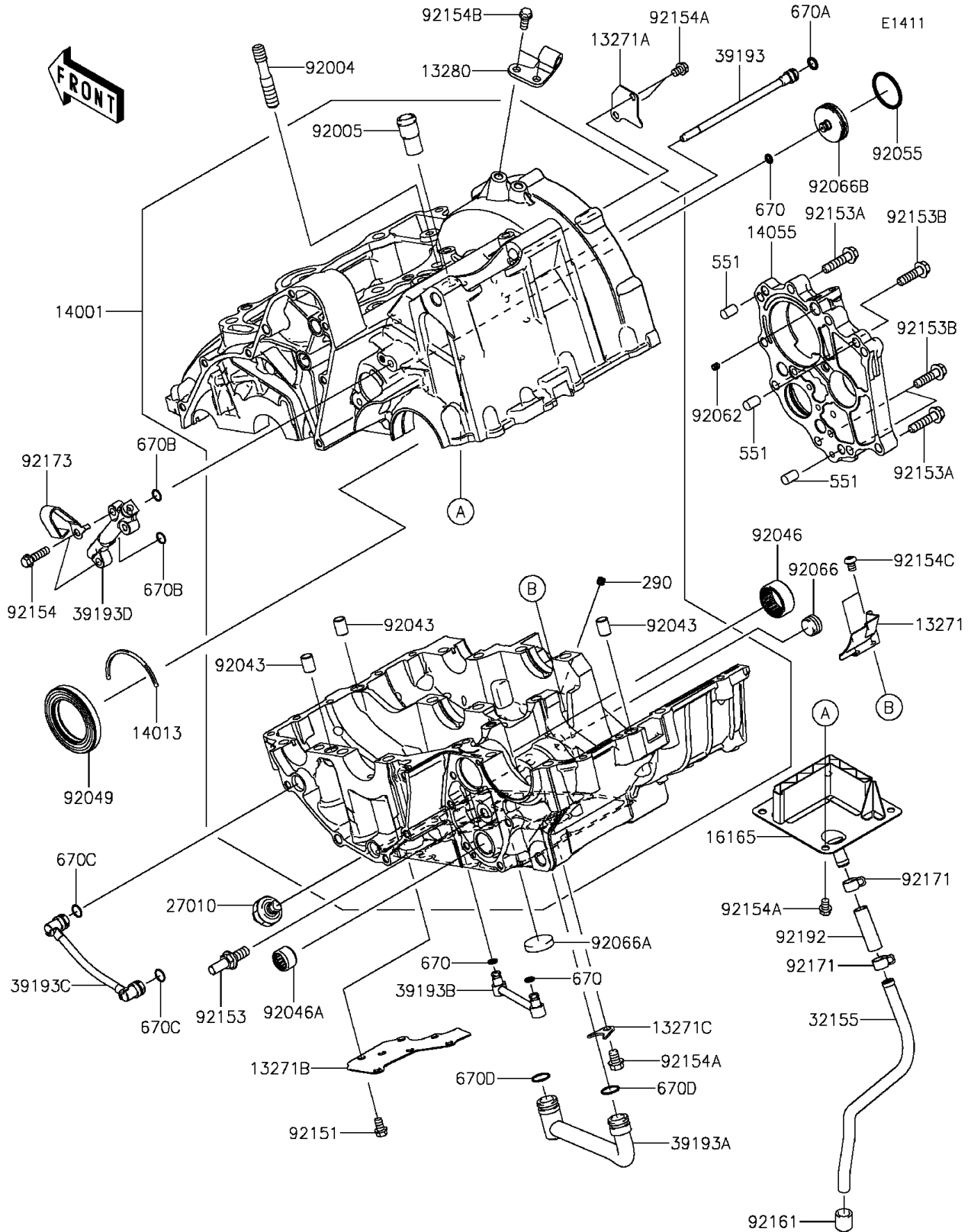


2016 VULCAN® S ABS CAFÉ PARTS DIAGRAM

Crankcase



2016 VULCAN® S ABS CAFÉ PARTS LIST

Crankcase

ITEM NAME	PART NUMBER	QUANTITY
-----------	-------------	----------