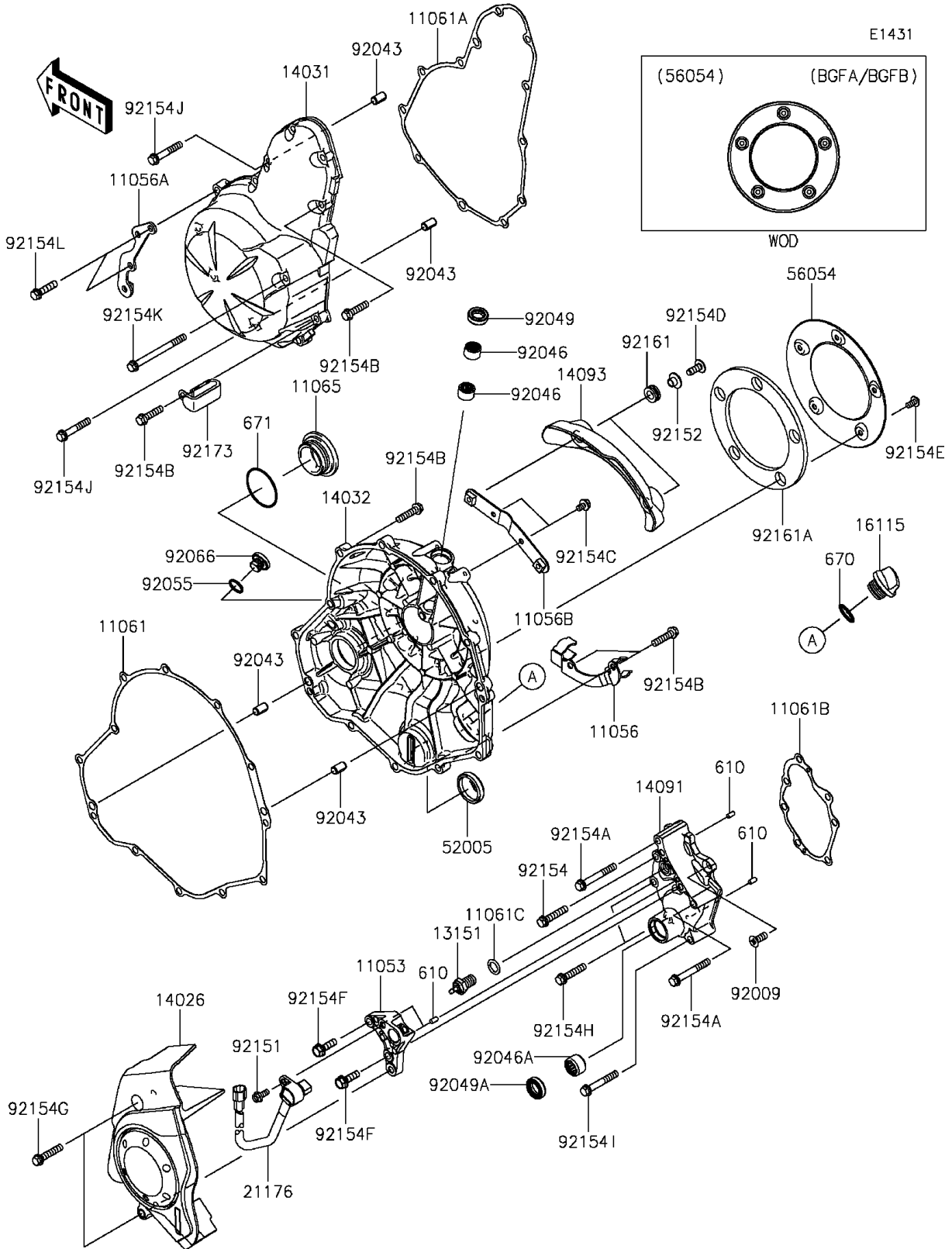


# 2016 VULCAN® S ABS CAFÉ PARTS DIAGRAM

Engine Cover(s)



# 2016 VULCAN® S ABS CAFÉ PARTS LIST

Engine Cover(s)

ITEM NAME	PART NUMBER	QUANTITY
-----------	-------------	----------