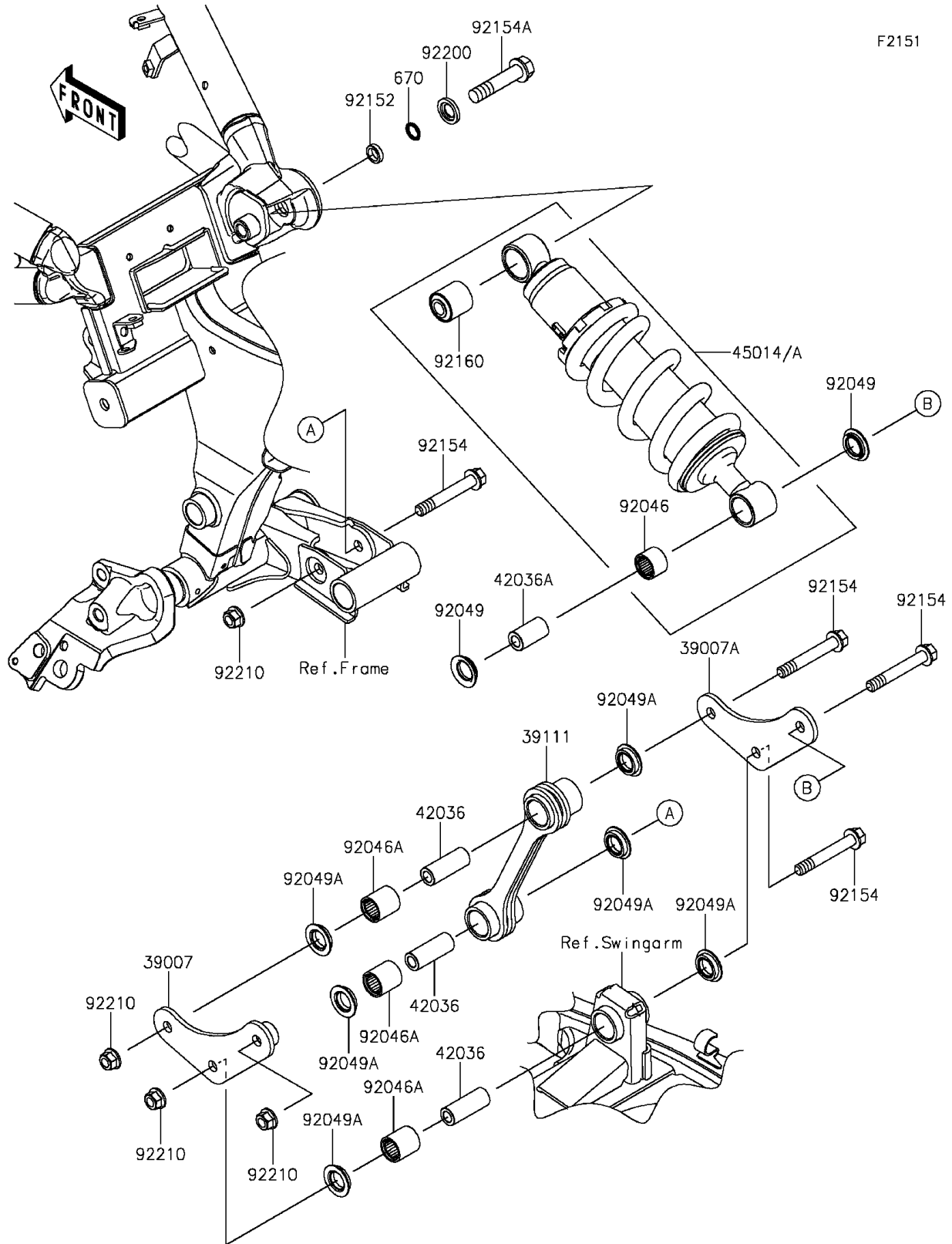


# 2016 VULCAN® S ABS PARTS DIAGRAM

Suspension/Shock Absorber



# 2016 VULCAN® S ABS PARTS LIST

Suspension/Shock Absorber

ITEM NAME	PART NUMBER	QUANTITY
-----------	-------------	----------