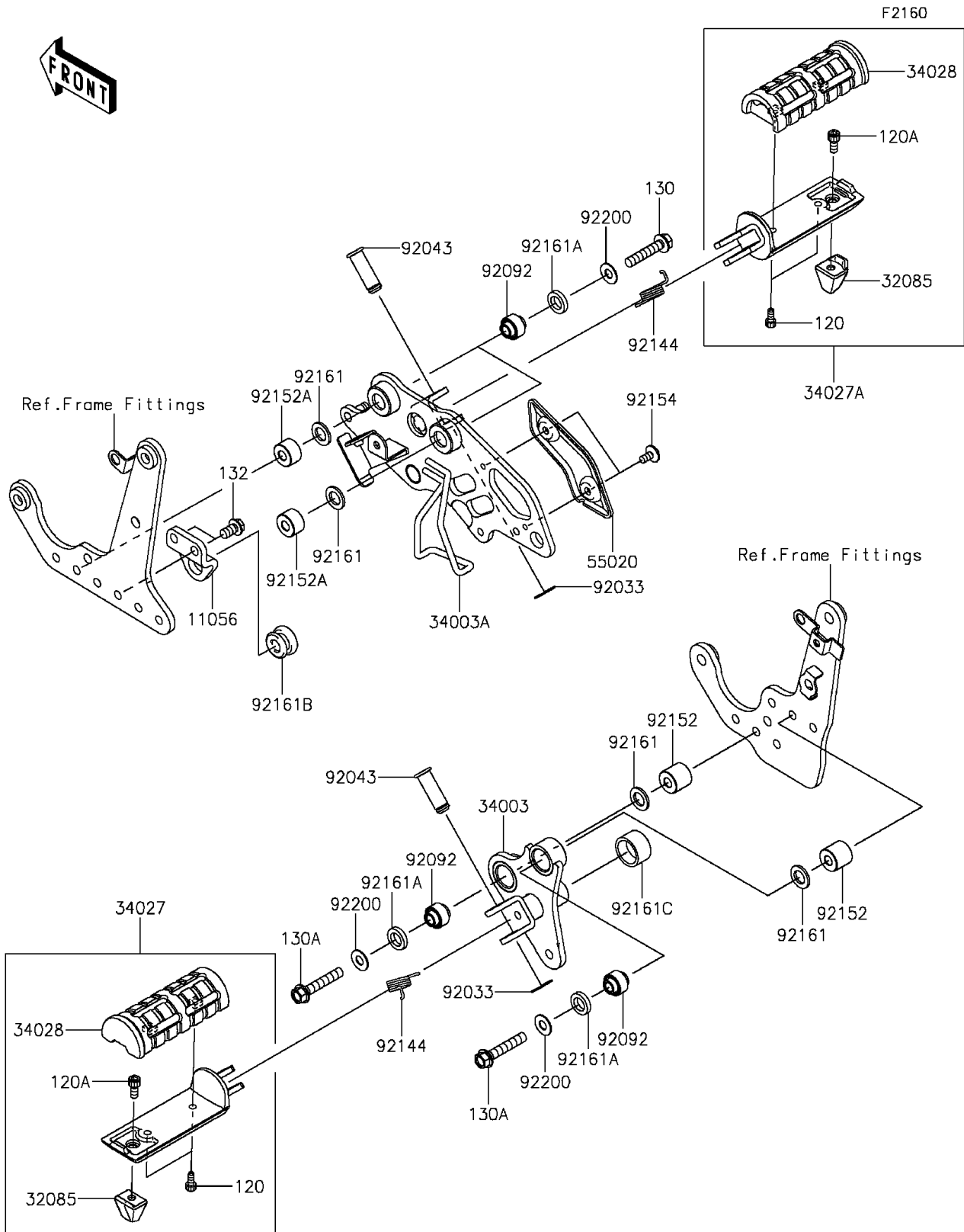


2016 VULCAN® S ABS PARTS DIAGRAM

Footrests



2016 VULCAN® S ABS PARTS LIST

Footrests

ITEM NAME	PART NUMBER	QUANTITY
-----------	-------------	----------